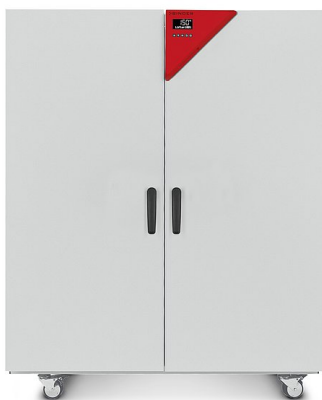


# Model FD 720 | Drying and heating chambers with forced convection

A BINDER FD series Avantgarde.Line heating oven is always used when fast drying and sterilization is required. Thanks to its fully homogeneous temperature distribution, quick dynamics and powerful fan, this heating oven saves valuable time.

## BENEFITS

- Best energy efficiency on the market
- Excellent temporal and spatial temperature accuracy
- USB connection for recording data
- Temperature range up to 300 °C



Model 720

## MAIN FEATURES

- Temperature range: ambient temperature plus 12 °C to 300 °C
- Up to 30% lower energy consumption compared to conventional units on the market
- High temperature accuracy thanks to APT.line™ technology
- Forced convection
- Controller with LCD display
- Electromechanical control of the exhaust air flap
- 2 chrome-plated racks
- Class 2 integrated independent adjustable temperature safety device (DIN 12880) with visual alarm
- Ergonomic handle design
- USB port for recording data

## ORDERING INFORMATION

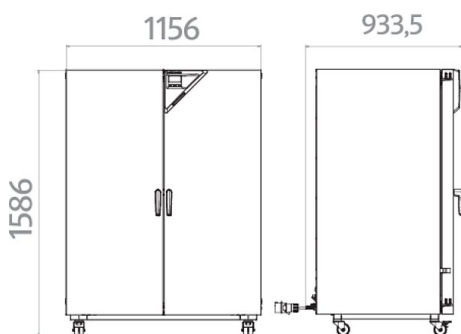
| Interior volume [L] | Voltage              | Option model | Version    | Art.-No.  |
|---------------------|----------------------|--------------|------------|-----------|
| Model FD 720        |                      |              |            |           |
| 741                 | 400 V 3~ ph 50/60 Hz | Standard     | FD720-400V | 9010-0311 |

## TECHNICAL DATA

|   |                         |
|---|-------------------------|
| Description   | FD720-400V <sup>1</sup> |
| Article Number  | 9010-0311               |
| <b>Performance Data Temperature</b>                       |                         |
| Temperature range 12 °C above ambient temperature to [°C] | 300                     |
| Temperature variation at 150 °C [± K]                     | 2.5                     |
| Temperature fluctuation at 150 °C [± K]                   | 0.6                     |
| Heating-up time to 150 °C [min]                           | 25                      |
| Recovery time after 30 seconds door open at 150 °C [min]  | 6                       |
| <b>Electrical data</b>                                    |                         |
| Rated Voltage [V]   | 400                     |
| Power frequency [Hz]                                      | 50/60                   |
| Nominal power [kW]  | 4.5                     |
| Unit fuse [A]   | 3 x 16                  |
| Phase (Nominal voltage)                                   | 3~                      |
| <b>Outer dimensions</b>                                   |                         |
| Width net [mm]  | 1165                    |
| Height net [mm]   | 1590                    |
| Depth net [mm]  | 870                     |
| Wall clearance back [mm]                                  | 160                     |
| Wall clearance sidewise [mm]                              | 100                     |
| <b>Doors</b>  |                         |
| Unit doors  | 2                       |
| <b>Internal Dimensions</b>                                |                         |
| Width [mm]  | 1000                    |
| Height [mm]   | 1300                    |
| Depth [mm]  | 570                     |
| <b>Measures</b>   |                         |
| Interior volume [L]                                       | 741                     |
| Net weight of the unit (empty) [kg]                       | 166                     |
| permitted load [kg]                                       | 315                     |
| Load per rack [kg]  | 45                      |
| <b>Environment-specific data</b>                          |                         |
| Energy consumption at 150 °C [Wh/h]                       | 800                     |
| Sound-pressure level [dB(A)]                              | 43                      |
| <b>Fixtures</b>   |                         |
| Number of shelves (std./max.)                             | 2/16                    |

<sup>1</sup> All technical data is specified for unloaded units with standard equipment at an ambient temperature of +22 °C ±3 °C and a power supply voltage fluctuation of ±10 %. The temperature data is determined to BINDER factory standard following DIN 12880, observing the recommended wall clearances of 10 % of the height, width, and depth of the inner chamber. Technical data refers to 100 % fan speed. All indications are average values, typical for units produced in series. We reserve the right to change technical specifications at any time.

## DIMENSIONS incl. fittings and connections [mm]



## OPTIONS AND ACCESSORIES

| Designation                                     | Description  | *  | Art.-No.  |
|---|--|--|-----------|
| Access port with silicone plug                  | left   |  |           |
|   | 10 mm  | 01   | 8012-1276 |
|   | 30 mm  | 01   | 8012-1016 |
|   | 50 mm  | 01   | 8012-1020 |
|   | 100 mm   | 01   | 8012-1027 |
|   | right  |  |           |
|   | 10 mm  | 01   | 8012-1269 |
|   | 30 mm  | 01   | 8012-1015 |
|   | 50 mm  | 01   | 8012-1019 |
|   | 100 mm   | 01   | 8012-1028 |
|   | top  |  |           |
|   | 10 mm  | 01   | 8012-1263 |
|   | 30 mm  | 01   | 8012-1364 |
|   | 50 mm  | 01   | 8012-1380 |
|   | 100 mm   | 01, 10   | 8012-1671 |
|   | Analog output 4-20 mA  | for temperature values (output not adjustable) | 02        |
| APT-COM™ 4 BASIC-Edition                        | for simple logging and documentation requirements with up to 5 networked units.<br>version 4, BASIC edition  | 19   | 9053-0039 |
| APT-COM™ 4 GLP-Edition                          | for working under GLP-compliant conditions. Measured values are documented in a tamper-proof way in line with the requirements of FDA Regulation 21 CFR 11.<br>version 4, GLP edition    | 19   | 9053-0042 |
| APT-COM™ 4 PROFESSIONAL-Edition                 | convenient unit and user management built on the BASIC edition. Suitable for networking up to 100 units.<br>version 4, PROFESSIONAL edition  | 19   | 9053-0040 |
| Calibration certificate, expanded               | for temperature; for extending the measurement in center of chamber to include another test temperature  | -  | 8012-1116 |
|   | for temperature, measurement in center of chamber at specified temperature   | -  | 8012-1135 |
|   | temperature measurement incl. certificate and 27 measuring points at specified temperature   | -  | 8012-1594 |
|   | temperature measurement incl. certificate, 15- 18 measuring points at specified temperature  | -  | 8012-1573 |
| Calibration certificate, temperature            | temperature measurement incl. certificate, 9 measuring points at specified temperature   | -  | 8012-1552 |
|   |  |  |           |
| Class 3.1 independent temperature safety device | with visual alarm (DIN 12880)  | 04, 12   | 8012-1643 |
| Clock   | battery-backed   | -  | 8012-1641 |
| Data Logger Kit                                 | T 350: For continuous temperature logging from 0 °C to 350 °C; kit includes 1 data logger, Pt 100 sensor with 2 m extension cable and 1 magnetic fixture for mounting to the BINDER unit | 19   | 8012-0714 |
| Data Logger Software                            | LOG ANALYZE software kit, configuration and evaluation software for all BINDER Data Logger Kits (incl. USB data cable)   | 19   | 8012-0821 |
| Door gasket                                     | made of FKM, silicone-free   | 03   | 8012-1833 |
| Door lock                                       | lockable door handle   | -  | 8012-1818 |

\* Notes › See last page

| Designation                          | Description  | * | Art.-No.  |
|--------------------------------------|--|---|-----------|
| Ethernet interface                   | for Multi Management Software APT-COM™   | - | 8012-0989 |
| Fan, reinforced                      | for increased air change rates, incl. uprated heat output for faster heating up time and improved recovery time; max. 300 °C; not in conjunction with load management option<br>400 V option model | - | 8012-1062 |
| Heating output, reinforced           | For faster heating up time and improved recovery time; max. 300 °C; not in conjunction with load management option<br>400 V option model   | - | 8012-1061 |
| HEPA air filter                      | On fresh air supply for unit; filter classification H14 (acc. to. EN 1822-1:2009, > 99.995% at 0.3 µm)   | - | 8012-1099 |
| Inner chamber, reinforced            | max. total load 350 kg   | - | 8012-1821 |
| Instrument tray                      | with lid made from 18/8 stainless steel, stackable, dimensions: 230 x 133 x 45 mm  | - | 4022-0123 |
|                                      | with lid made from 18/8 stainless steel, stackable, dimensions: 315 x 215 x 60 mm  | - | 4022-0124 |
| Interior lighting                    | with two 15 W light bulbs  | - | 8012-1825 |
|                                      | 400 V option model   | - |           |
| Measurement of air exchange rate     | in accordance with ASTM D5374, definition and protocol according to ambient temperature  | - | 8012-1195 |
| Overheating alarm                    | audible, can be switched off, adjustable limit on the independent temperature safety device  | - | 8012-1636 |
| pH-neutral detergent                 | concentrated, for gentle remove of residual contaminants; 1 kg   | - | 1002-0016 |
| Pt 100 temperature sensor            | additional flexible Pt 100, interior, for displaying the temperature on the unit display   | - | 8012-1620 |
| Rack                                 | chrome plated  | - | 6004-0171 |
|                                      | stainless steel  | - | 6004-0155 |
| Rack, heavy load                     | Stainless steel, max. load per rack 70 kg  | - | 6004-0204 |
| Shelf, perforated                    | Stainless steel  | - | 6004-0187 |
| Viewing window and interior lighting | viewing window (triple insulating glass) in door, 300 x 480 mm, and 30 W interior  | - | 8012-1831 |
|                                      | 400 V option model   | - |           |

\* Notes › See last page

## SERVICES

| Designation                                 | Description   | *              | Art.-No.  |
|---|---|----------------|-----------|
| <b>Installation services</b>                |   |                |           |
| Installation                                | and set up of unit at operating location, connect to existing connections   | 13, 18         | DL10-0100 |
| Instruction                                 | unit function instructions for operation and programming of the controller  | 18             | DL10-0500 |
| <b>Preventive maintenance</b>               |   |                |           |
| Preventive maintenance                      | Executive of equipment inspection according to maintenance plan   | 14, 18         | DL20-0200 |
| <b>Calibration services</b>                 |   |                |           |
| Calibration temperature incl. certificate   | including certificate, one measuring point in center of chamber at specified temperature  | 14, 16, 17, 18 | DL30-0101 |
| Measurement of air exchange rate            | including certificate (in accordance with ASTM D5374)   | 14, 16, 17, 18 | DL33-0000 |
| Temperature measurement 18 measuring points | including certificate, 18 measuring points at specified temperature   | 14, 16, 17, 18 | DL30-0118 |
| Temperature measurement 27 measuring points | including certificate, 27 measuring points at specified temperature   | 14, 16, 17, 18 | DL30-0127 |
| Temperature measurement 9 measuring points  | including certificate, 9 measuring points at specified temperature  | 14, 16, 17, 18 | DL30-0109 |
| <b>Validation services</b>                  |   |                |           |
| Execution of IQ/OQ                          | in accordance with qualification folder   | 15, 18, 20     | DL40-0100 |
| Execution of IQ/OQ/PQ                       | in accordance with customer's requirement, price: on request  | 15, 18         | DL44-0500 |
| Qualification folder IQ/OQ                  | supporting documents for validation performed by customer, consisting of: IQ/OQ checklists, unit schematics, QM certificate in accordance with ISO 9001 | 15, 18, 20     | 8012-0792 |

\* Notes › See last page

| Designation                                 | Description   | *      | Art.-No.  |
|---|---|--------|-----------|
| Qualification folder IQ/OQ/PQ               | supporting documents for validation performed by customer, in accordance with customer's requirement, extension of Qualification folder IQ/OQ by chapter PQ | 15, 18 | 8012-0943 |
| <b>Warranty service</b>                     |   |        |           |
| Extension of the warranty from 2 to 3 years | beginning with the date of delivery, wearing parts are not included   | -      | DL00-3041 |
| Extension of the warranty from 2 to 5 years | beginning with the date of delivery, wearing parts are not included   | -      | DL00-3042 |

\* Notes › See last page

## NOTES

- 01 Condensation may occur in the area around the access port. Access ports may be placed in custom locations for an additional charge.
- 02 UL mark is not granted when this option is used.
- 03 Heat resistant only to max. 200 °C.
- 04 Only available on units rated for 230 V.
- 06 Heating-up time may increase as a result of the lower heat conductivity.
- 07 The additional heat input may affect the temperature behavior.
- 09 Not in conjunction with the optional access port, door with window and interior lighting.
- 10 Not available on 23-liter units.
- 11 Not available on 23- or 53-liter units.
- 12 Only available on units rated for 230 V or 400 V.
- 13 Installation and connections take place at unit location; transport within the company only upon consultation.
- 14 We recommend a BINDER service contract to cover unit inspections, calibrations and validations.
- 15 OQ according to Yellow Paper = completed factory validation documentation of all OQ checklists.
- 16 Sensor calibration is performed in an accredited calibration laboratory.
- 17 Calibration is performed according to the BINDER factory standard.
- 18 Quoted prices do not include travel costs. Please refer to the chapter on BINDER Service for travel costs for your region. Quoted prices for services performed in Switzerland do not include a country-specific added fee (available on request).
- 19 For additional accessories, refer to the Process documentation chapter.
- 20 When ordering IQ/OQ qualification folders and associated IQ/OQ execution on one order, we offer a 15 % discount for the item of the IQ/OQ folder.  
When ordering IQ/OQ/PQ qualification folders and associated IQ/OQ/PQ execution on one order, we offer a 15 % discount for the item of the IQ/OQ/PQ folder.

BINDER GmbH  
Tuttlingen, Germany  
TEL +49 7462 2005 0  
FAX +49 7462 2005 100  
info@binder-world.com  
www.binder-world.com

BINDER Asia Pacific (Hong Kong) Ltd.  
Kowloon, Hong Kong, P.R. China  
TEL +852 39070500  
FAX +852 39070507  
asia@binder-world.com  
www.binder-world.com

Representative Office for CIS  
Moscow, Russia  
TEL +7 495 988 15 16  
FAX +7 495 988 15 17  
russia@binder-world.com  
www.binder-world.ru

BINDER Environmental Testing  
Equipment (Shanghai) Co., Ltd.  
Shangha, P.R. China  
TEL +86 21 685 808 25  
FAX +86 21 685 808 29  
china@binder-world.com  
www.binder-world.com

BINDER Inc.  
Bohemia, NY, USA  
TEL +1 631 224 4340  
FAX +1 631 224 4354  
usa@binder-world.com  
www.binder-world.us