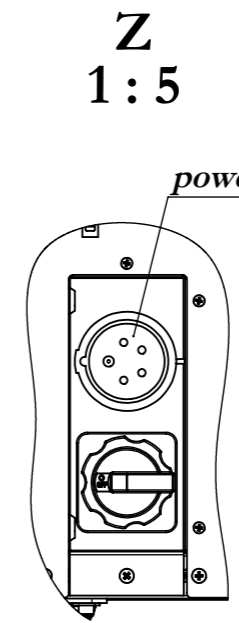
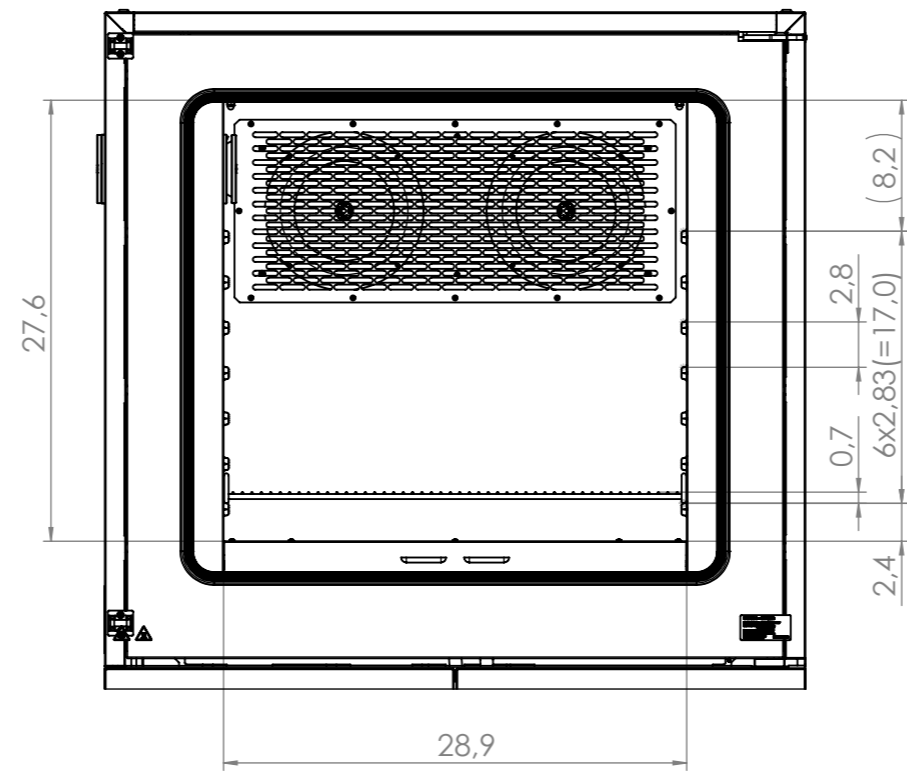
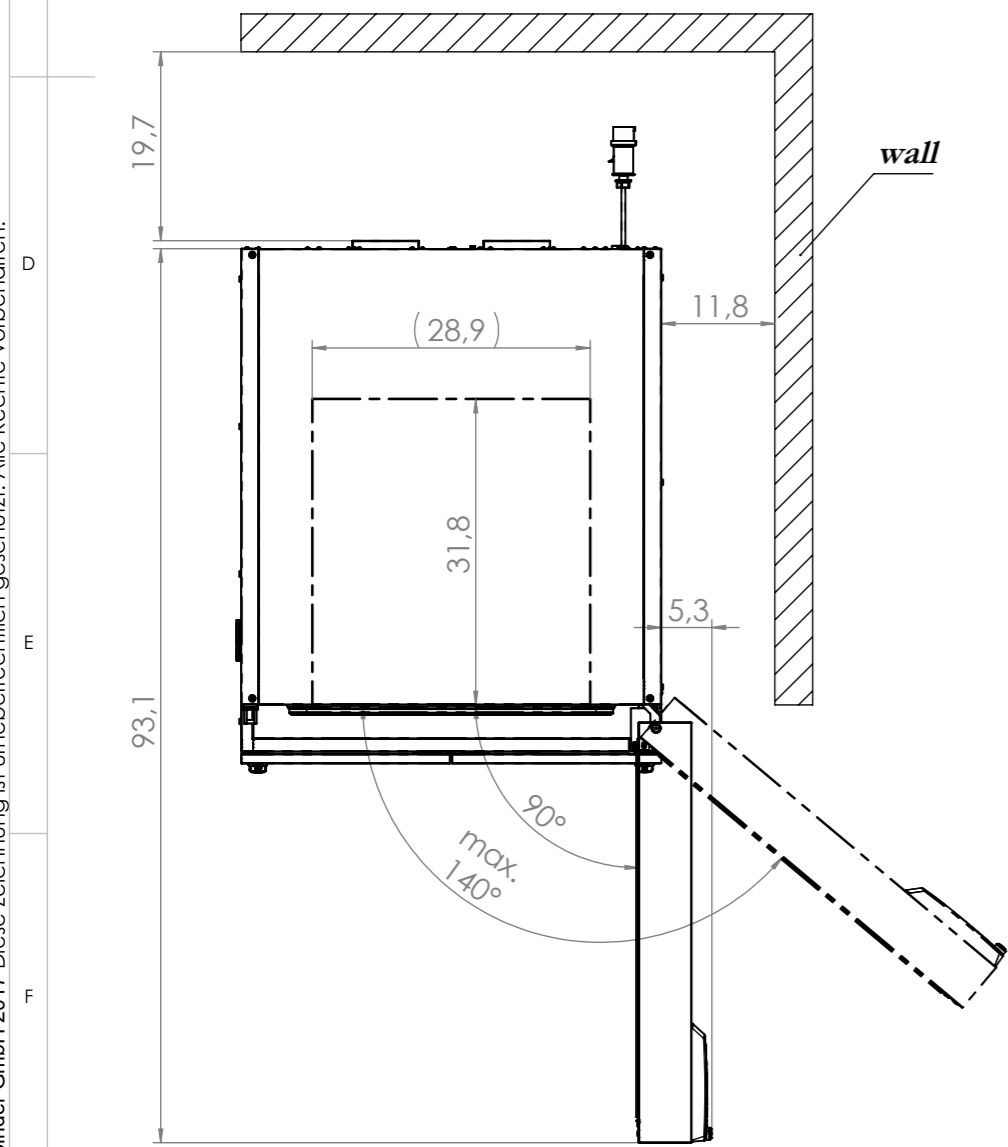
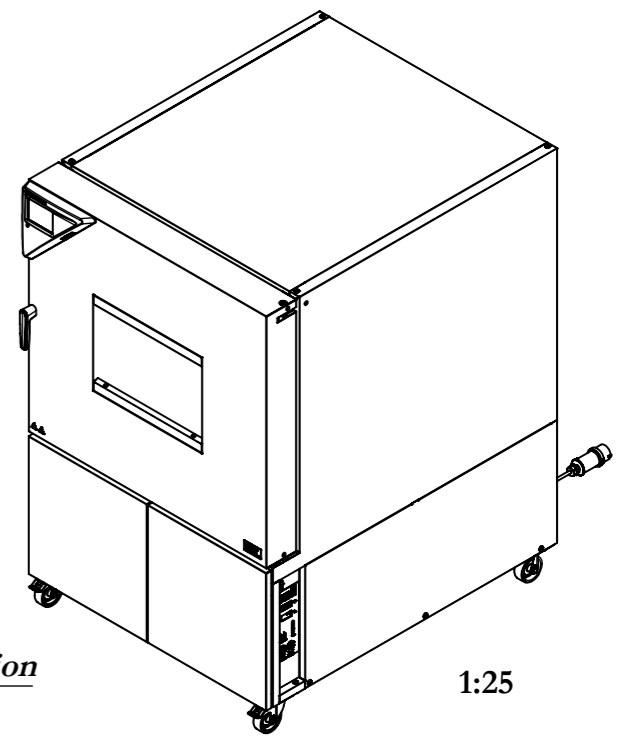


Y
1 : 12
view without door



Z
1 : 5



voltage and frequency changer can be positioned as required

inner chamber

BINDER Im Mittleren Ösch 5
78532 Tuttlingen

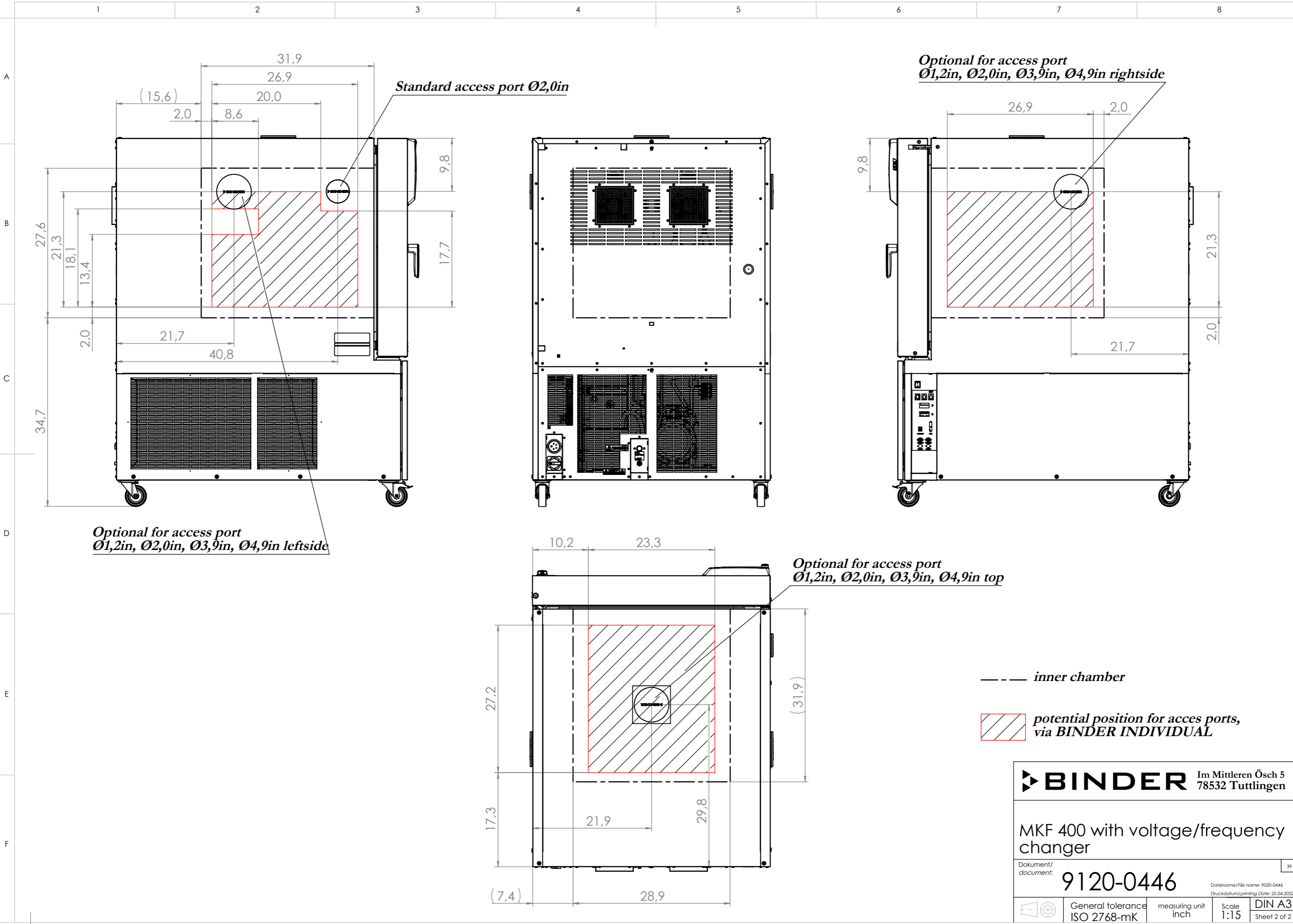
MKF 400 with voltage/frequency
changer

Dokument/
document: **9020-0446**

Dateiname/File name: 9020-0446
Druckdatum/printing Date: 25.04.2022

General tolerance ISO 2768-mK	measuring unit inch	Scale 1:20	DIN A3 Sheet 1 of 2
----------------------------------	------------------------	---------------	------------------------

© Binder GmbH 2017 Diese Zeichnung ist urheberrechtlich geschützt. Alle Rechte vorbehalten.



--- inner chamber
 [hatched red rectangle] potential position for access ports, via BINDER INDIVIDUAL

BINDER Im Mittleren Ösch 5
78532 Tuttlingen

MKF 400 with voltage/frequency changer

Dokument/
document: **9120-0446**

Dateiname/File name: 9020-0446
Druckdatum/printing Date: 25.04.2022

General tolerance ISO 2768-mK	measuring unit inch	Scale 1:15	DIN A3 Sheet 2 of 2
----------------------------------	------------------------	---------------	------------------------