

Model CB 220 | CO₂ incubators with hot air sterilization and heat sterilizable CO₂ sensor

The BINDER CB series CO₂ incubator is the premium class among the CO₂ incubators. It is suitable for all sensitive incubation applications and ensures optimal cell growth. A BINDER CB series CO₂ incubator can perform complex cultivation experiments as well as specific environmental conditions.

BENEFITS

- Maximum usable space with minimal footprint and excellent ease of use
- Minimum risk of contamination thanks to uncompromising hot-air sterilization
- Fanless, easy-to-clean hygienic interior
- Stable pH values thanks to drift-free CO₂ IR sensor technology
- Low evaporation of the medium due to high levels of humidity and quick recovery time



Model 220

MAIN FEATURES

- Temperature range: room temperature plus 7 °C to 60 °C
- Humidity range: up to 95% RH
- O₂ control range: 0.2 to 20 vol% O₂ for versions with O₂ control
- Alternative O₂ control range: 10 to 95 vol% O₂, option for versions with O₂ control
- Auto-sterilization with hot air at 180 °C
- Double-pan humidification system with condensation protection
- CO₂ gas-mixing jet with Venturi effect
- Hot-air sterilizable CO₂ sensor with infrared technology
- Display via color LCD monitor
- Lockable door handle
- Tightly-sealed inner door made of tempered safety glass
- Seamless, deep-drawn inner stainless steel chamber
- 3 perforated stainless steel shelves
- Units are stackable with stacking adapter
- Troubleshooting system with visual and audible alarms
- Computer interface: Ethernet
- Internal data recording and USB interface
- Zero-voltage alarm contact

ORDERING INFORMATION

Interior volume [L]	Voltage	Option model	Version	Art.-No.
Model CB 220				
210	200...240 V 1~ ph 50/60 Hz	Standard	CB220-230V	9040-0096
		with O ₂ control	CB220-230V-O	9040-0098
		with 6x divided inner door	CB220-230V-G	9040-0108
		with O ₂ control and with 6x divided inner door	CB220-230V-GO	9040-0110
210	100...120 V 1~ ph 50/60 Hz	Standard	CB220UL-120V	9040-0097
		with O ₂ control	CB220UL-120V-O	9040-0099
		with 6x divided inner door	CB220UL-120V-G	9040-0109
		with O ₂ control and with 6x divided inner door	CB220UL-120V-GO	9040-0111

TECHNICAL DATA (Version 1-4 from 8)

Description	CB220-230V ¹	CB220-230V-O ¹	CB220-230V-G ¹	CB220-230V-GO ¹
Article Number	9040-0096	9040-0098	9040-0108	9040-0110
Performance Data Temperature				
Temperature range 7 °C above ambient temperature to [°C]	60	60	60	60
Temperature variation at 37 °C [± K]	0.4	0.4	0.4	0.4
Temperature fluctuation at 37 °C [± K]	0.1	0.1	0.1	0.1
Recovery time after 30 seconds door open at 37 °C [min]	5	5	5	5
Performance Data Climate				
Humidity range [% RH]	90...95	90...95	90...95	90...95
CO₂-Data				
CO ₂ range [Vol.-% CO ₂]	0...20	0...20	0...20	0...20
CO ₂ measurement	IR	IR	IR	IR
CO ₂ Recovery time after 30 seconds door open at 5 Vol.-% CO ₂ [min]	5	5	5	5
O₂-Data				
Standard O ₂ control ranges: O ₂ range [Vol.-% O ₂]		0.2...20		0.2...20
O ₂ control ranges with option: O ₂ range [Vol.-% O ₂]		10...95		10...95
O ₂ Recovery time after 30 seconds door open at 5 Vol.-% O ₂ [min]		18		18
Electrical data				
Rated Voltage [V]	200...240	200...240	200...240	200...240
Power frequency [Hz]	50/60	50/60	50/60	50/60
Nominal power [kW]	1.5	1.5	1.5	1.5
Unit fuse [A]	10	10	10	10
Phase (Nominal voltage)	1~	1~	1~	1~
Outer dimensions				
Width net [mm]	740	740	740	740
Height net [mm]	1070	1070	1070	1070
Depth net [mm]	715	715	715	715
Wall clearance back [mm]	100	100	100	100
Wall clearance sidewise [mm]	50	50	50	50
Doors				
Inner doors	1	1	6	6
Unit doors	1	1	1	1
Internal Dimensions				
Width [mm]	560	560	560	560
Height [mm]	750	750	750	750
Depth [mm]	500	500	500	500
Measures				
Interior volume [L]	210	210	210	210
Net weight of the unit (empty) [kg]	121	125	129	132
permitted load [kg]	30	30	30	30
Load per rack [kg]	10	10	10	10
Environment-specific data				
Energy consumption at 37 °C [Wh/h]	120	120	120	120

1 All technical data is specified for unloaded units with standard equipment at an ambient temperature of +22 °C ±3 °C and a power supply voltage fluctuation of ±10%. The temperature data is determined to BINDER factory standard following DIN 12880, observing the recommended wall clearances of 10 % of the height, width, and depth of the inner chamber. All indications are average values, typical for units produced in series. We reserve the right to change technical specifications at any time.

Description	CB220-230V ¹	CB220-230V-O ¹	CB220-230V-G ¹	CB220-230V-GO ¹
Article Number	9040-0096	9040-0098	9040-0108	9040-0110
Fixtures				
Number of shelves (std./max.)	3/8	3/8	3/3	3/3

¹ All technical data is specified for unloaded units with standard equipment at an ambient temperature of +22 °C ±3 °C and a power supply voltage fluctuation of ±10%. The temperature data is determined to BINDER factory standard following DIN 12880, observing the recommended wall clearances of 10 % of the height, width, and depth of the inner chamber. All indications are average values, typical for units produced in series. We reserve the right to change technical specifications at any time.

TECHNICAL DATA (Version 5-8 from 8)

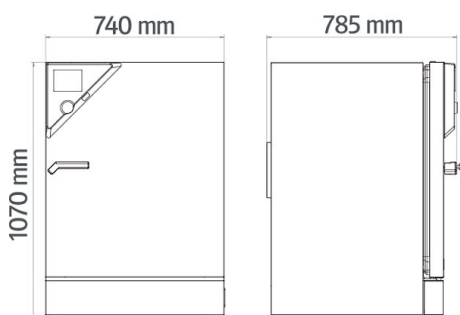
Description	CB220UL-120V ¹	CB220UL-120V-O ¹	CB220UL-120V-G ¹	CB220UL-120V-GO ¹
Article Number	9040-0097	9040-0099	9040-0109	9040-0111
Performance Data Temperature				
Temperature range 7 °C above ambient temperature to [°C]	60	60	60	60
Temperature variation at 37 °C [± K]	0.4	0.4	0.4	0.4
Temperature fluctuation at 37 °C [± K]	0.1	0.1	0.1	0.1
Recovery time after 30 seconds door open at 37 °C [min]	5	5	5	5
Performance Data Climate				
Humidity range [% RH]	90...95	90...95	90...95	90...95
CO₂-Data				
CO ₂ range [Vol.-% CO ₂]	0...20	0...20	0...20	0...20
CO ₂ measurement	IR	IR	IR	IR
CO ₂ Recovery time after 30 seconds door open at 5 Vol.-% CO ₂ [min]	5	5	5	5
O₂-Data				
Standard O ₂ control ranges: O ₂ range [Vol.-% O ₂]		0.2...20		0.2...20
O ₂ control ranges with option: O ₂ range [Vol.-% O ₂]		10...95		10...95
O ₂ Recovery time after 30 seconds door open at 5 Vol.-% O ₂ [min]		18		18
Electrical data				
Rated Voltage [V]	100...120	100...120	100...120	100...120
Power frequency [Hz]	50/60	50/60	50/60	50/60
Nominal power [kW]	1.5	1.5	1.5	1.5
Unit fuse [A]	16	16	16	16
Phase (Nominal voltage)	1~	1~	1~	1~
Outer dimensions				
Width net [mm]	740	740	740	740
Height net [mm]	1070	1070	1070	1070
Depth net [mm]	715	715	715	715
Wall clearance back [mm]	100	100	100	100
Wall clearance sidewise [mm]	50	50	50	50
Doors				
Inner doors	1	1	6	6
Unit doors	1	1	1	1

¹ All technical data is specified for unloaded units with standard equipment at an ambient temperature of +22 °C ±3 °C and a power supply voltage fluctuation of ±10%. The temperature data is determined to BINDER factory standard following DIN 12880, observing the recommended wall clearances of 10 % of the height, width, and depth of the inner chamber. All indications are average values, typical for units produced in series. We reserve the right to change technical specifications at any time.

Description	CB220UL-120V ¹	CB220UL-120V-O ¹	CB220UL-120V-G ¹	CB220UL-120V-GO ¹
Article Number	9040-0097	9040-0099	9040-0109	9040-0111
Internal Dimensions				
Width [mm]	560	560	560	560
Height [mm]	750	750	750	750
Depth [mm]	500	500	500	500
Measures				
Interior volume [L]	210	210	210	210
Net weight of the unit (empty) [kg]	121	125	129	132
permitted load [kg]	30	30	30	30
Load per rack [kg]	10	10	10	10
Environment-specific data				
Energy consumption at 37 °C [Wh/h]	120	120	120	120
Fixtures				
Number of shelves (std./max.)	3/8	3/8	3/3	3/3

1 All technical data is specified for unloaded units with standard equipment at an ambient temperature of +22 °C ±3 °C and a power supply voltage fluctuation of ±10%. The temperature data is determined to BINDER factory standard following DIN 12880, observing the recommended wall clearances of 10 % of the height, width, and depth of the inner chamber. All indications are average values, typical for units produced in series. We reserve the right to change technical specifications at any time.

DIMENSIONS incl. fittings and connections [mm]



OPTIONS AND ACCESSORIES

Designation	Description	*	Art.-No.
Access port with silicone plug	back 30 mm	01	8012-1390
	left 30 mm	01	8012-1391
	right 30 mm	01	8012-1392
Analog output 4-20 mA	for temperature and CO ₂ values (outputs not adjustable)	02	8012-0822
APT-COM™ 4 BASIC-Edition	for simple logging and documentation requirements with up to 5 networked units. version 4, BASIC edition	19	9053-0039
APT-COM™ 4 GLP-Edition	for working under GLP-compliant conditions. Measured values are documented in a tamper-proof way in line with the requirements of FDA Regulation 21 CFR 11. version 4, GLP edition	19	9053-0042
APT-COM™ 4 PROFESSIONAL-Edition	convenient unit and user management built on the BASIC edition. Suitable for networking up to 100 units. version 4, PROFESSIONAL edition	19	9053-0040
Base	with casters, height-adjustable, with unit feet retainer	-	9051-0029
Calibration certificate O ₂	for versions with O ₂ control; a measuring point in center of chamber at a specified O ₂ percentage value	-	8012-0229
Calibration certificate, expanded	for temperature; for extending the measurement in center of chamber to include another test temperature	-	8012-1113

* Notes › See last page

Designation	Description	*	Art.-No.
Calibration certificate, temperature	for temperature, measurement in center of chamber at specified temperature	-	8012-1132
	temperature measurement incl. certificate and 27 measuring points at specified temperature	-	8012-1592
	temperature measurement incl. certificate, 15- 18 measuring points at specified temperature	-	8012-1571
	temperature measurement incl. certificate, 9 measuring points at specified temperature	-	8012-1550
Calibration certificate, temperature and CO ₂	for temperature and CO ₂ , temperature measurement in center of chamber, CO ₂ measurement performed using test gas at 37 °C and 5 % CO ₂	-	8012-1235
CELLROLL set	modular, expandable roller bottle system for cell cultivation, 6 roller bottles	-	8012-0572
Electric access port	8-pin, for low voltage with LEMO socket (coverable) and LEMO plug (max. 24 V – 2 A)	-	8012-0826
Gas cylinder connection set	for CO ₂ , consisting of a gas tank pressure regulator with connection parts and 5-meter hose	-	8012-0014
	for N ₂ , consisting of a gas tank pressure regulator with connection parts and 5-meter hose	-	8012-0016
	for O ₂ , consisting of a gas tank pressure regulator with connection parts and 5-meter hose	-	8012-0015
Gas tank changer	external, BINDER Gas Supply Service, for connecting 2 gas tanks (CO ₂ , N ₂ or O ₂), with audible and visual alarms, as well as zero-voltage alarm output	-	8012-0408
Interface converter	RS 422 cable set and RS 232 / RS 422 interface converter for connection to 10-way plug distributor or for connection to a unit		
	120 V, 60 Hz option model	-	8012-0557
	230 V, 50/60 Hz option model	-	8012-0556
	RS 422 cable set and RS 422 / Ethernet interface converter for connection to 10-way plug distributor or for connection to a unit		
	120 V, 60 Hz option model	-	8012-0405
	230 V, 50/60 Hz option model	-	8012-0380
Interface converter, USB / RS422	RS 422 cable set and RS 422 / USB interface converter for connection to 10-way plug distributor or for connection to a unit (USB-powered converter)	-	8012-0665
Interior socket	waterproof, switched flush-mounting box (LEMO) for nominal voltage in unit interior, coverable, with corresponding plug (nominal voltage; max. 3 A; protection class IP65)	07	8012-0823
O ₂ control range	alternative to the standard range, for controlling O ₂ concentrations between 10 and 95 vol. %, only in conjunction with option models with O ₂ control	-	8012-1106
pH-neutral detergent	concentrated, for gentle remove of residual contaminants; 1 kg	-	1002-0016
RS 422 interface	modular plug distributor for 10 RS 422 interfaces	-	8012-0295
RS 422 interface, cable (15 m)	RS 422 connection cable (15 m) between plug distributor and RS 422 interface	-	5023-0036
RS 422 interface, cable (50 m)	RS 422 extension cable (50 m) between interface converter and unit or RS 232 / RS 422 plug distributor	-	5023-0117
Rubber pads	set anti-slip feet	-	8012-0702
Shaker „Professional“	Shaker and controller equipped with LEMO connectors, exclusively for CB with electric access port, 100 – 240 V, 50/60 Hz	-	8012-1772
Shaker „Universal“	Shaker and controller connected via ribbon cable, universally applicable, 100 – 240 V, 50/60 Hz	-	8012-1771
	Stainless steel	-	6004-0137
Shelf, perforated	stainless steel, for divided inner door		
	Stainless steel, divided	-	8012-0607
Stacking adapter, flat	for thermally decoupled stacking of two identical units	-	9051-0036
Stacking frame	stable, vibration-free stacking frame on casters with stop brake for safe stacking of two CB series units	-	9051-0023

* Notes › See last page

SERVICES

Designation	Description	*	Art.-No.
Installation services			
Installation	and set up of unit at operating location, connect to existing connections	13, 18	DL10-0100
Instruction	unit function instructions for operation and programming of the controller	18	DL10-0500
Preventive maintenance			
Preventive maintenance	Executive of equipment inspection according to maintenance plan	14, 18	DL20-0400

* Notes › See last page

Designation	Description	*	Art.-No.
Calibration services			
Calibration CO ₂	including certificate, CO ₂ measurement with analyzed test gas at 5 % or at specified value	14, 16, 17, 18	DL30-0401
Calibration O ₂	calibration of O ₂ , including certificate (one measuring point in center of chamber at specified O ₂ percentage)	14, 16, 17, 18	DL30-0402
Calibration temperature incl. certificate	including certificate, one measuring point in center of chamber at specified temperature	14, 16, 17, 18	DL30-0101
Temperature measurement 18 measuring points	including certificate, 18 measuring points at specified temperature	14, 16, 17, 18	DL30-0118
Temperature measurement 27 measuring points	including certificate, 27 measuring points at specified temperature	14, 16, 17, 18	DL30-0127
Temperature measurement 9 measuring points	including certificate, 9 measuring points at specified temperature	14, 16, 17, 18	DL30-0109
Validation services			
Execution of IQ/OQ	in accordance with qualification folder	15, 18, 20	DL41-0200
Execution of IQ/OQ/PQ	in accordance with customer's requirement, price: on request	15, 18	DL44-0500
Qualification folder IQ/OQ	supporting documents for validation performed by customer, consisting of: IQ/OQ checklists, unit schematics, QM certificate in accordance with ISO 9001	15, 18, 20	8012-0876
Qualification folder IQ/OQ/PQ	supporting documents for validation performed by customer, in accordance with customer's requirement, extension of Qualification folder IQ/OQ by chapter PQ	15, 18	8012-0963
Warranty service			
Extension of the warranty from 2 to 3 years	beginning with the date of delivery, wearing parts are not included	–	DL02-1041
Extension of the warranty from 2 to 5 years	beginning with the date of delivery, wearing parts are not included	–	DL02-1042

* Notes › See last page

NOTES

- 01 Condensation may occur in the area around the access port. Access ports may be placed in custom locations for an additional charge.
- 02 UL mark is not granted when this option is used.
- 03 Heat resistant only to max. 200 °C.
- 04 Only available on units rated for 230 V.
- 06 Heating-up time may increase as a result of the lower heat conductivity.
- 07 The additional heat input may affect the temperature behavior.
- 09 Not in conjunction with the optional access port, door with window and interior lighting.
- 10 Not available on 23-liter units.
- 11 Not available on 23- or 53-liter units.
- 12 Only available on units rated for 230 V or 400 V.
- 13 Installation and connections take place at unit location; transport within the company only upon consultation.
- 14 We recommend a BINDER service contract to cover unit inspections, calibrations and validations.
- 15 OQ according to Yellow Paper = completed factory validation documentation of all OQ checklists.
- 16 Sensor calibration is performed in an accredited calibration laboratory.
- 17 Calibration is performed according to the BINDER factory standard.
- 18 Quoted prices do not include travel costs. Please refer to the chapter on BINDER Service for travel costs for your region. Quoted prices for services performed in Switzerland do not include a country-specific added fee (available on request).
- 19 For additional accessories, refer to the Process documentation chapter.
- 20 When ordering IQ/OQ qualification folders and associated IQ/OQ execution on one order, we offer a 15 % discount for the item of the IQ/OQ folder.
When ordering IQ/OQ/PQ qualification folders and associated IQ/OQ/PQ execution on one order, we offer a 15 % discount for the item of the IQ/OQ/PQ folder.

BINDER GmbH
Tuttlingen, Germany
TEL +49 7462 2005 0
FAX +49 7462 2005 100
info@binder-world.com
www.binder-world.com

BINDER Asia Pacific (Hong Kong) Ltd.
Kowloon, Hong Kong, P.R. China
TEL +852 39070500
FAX +852 39070507
asia@binder-world.com
www.binder-world.com

Representative Office for CIS
Moscow, Russia
TEL +7 495 988 15 16
FAX +7 495 988 15 17
russia@binder-world.com
www.binder-world.ru

BINDER Environmental Testing
Equipment (Shanghai) Co., Ltd.
Shangha, P.R. China
TEL +86 21 685 808 25
FAX +86 21 685 808 29
china@binder-world.com
www.binder-world.com

BINDER Inc.
Bohemia, NY, USA
TEL +1 631 224 4340
FAX +1 631 224 4354
usa@binder-world.com
www.binder-world.us