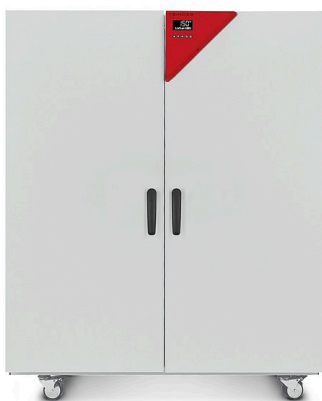


Model FD 720 | Drying and heating chambers with forced convection

A BINDER FD series Avantgarde.Line heating oven is always used when fast drying and sterilization is required. Thanks to its fully homogeneous temperature distribution, quick dynamics and powerful fan, this heating oven saves valuable time.

BENEFITS

- Best energy efficiency on the market
- Excellent temporal and spatial temperature accuracy
- USB connection for recording data
- Temperature range up to +300 °C



Model 720



Model 56

MAIN FEATURES

- Temperature range: +10 °C above ambient temperature to +300 °C
- High temperature accuracy thanks to APT.line™ technology
- Forced convection
- Controller with LCD display
- Electromechanical control of the exhaust air flap
- 2 chrome-plated racks
- Units up to 115 L are stackable
- Class 2 independent temperature safety device (DIN 12880) with visual temperature alarm
- Ergonomic handle design
- USB port for recording data

ORDERING INFORMATION

Interior volume [cu.ft.]	Voltage	Option model	Version	Art.-No.
26.2	400 V 3~ 50/60 Hz	Standard	FD720-400V	9010-0311

TECHNICAL DATA

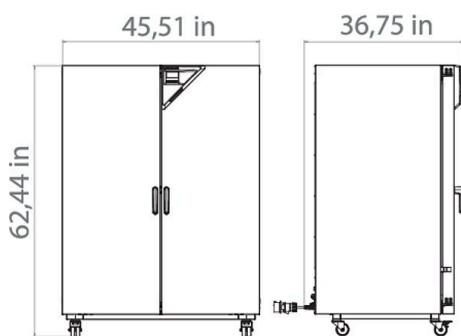
Description	FD720-400V ¹
Article Number	9010-0311
Performance Data Temperature	
Temperature range +12 °C above ambient temperature to [°C]	300
Temperature variation at 150 °C [± K]	2.5
Temperature fluctuation at 150 °C [± K]	0.6
Heating-up time to 150 °C [min]	25
Recovery time after 30 seconds door open at 150 °C [min]	6

¹ All technical data is specified for unloaded units with standard equipment at an ambient temperature of +22 °C ±3 °C and a power supply voltage fluctuation of ±10 %. The temperature data is determined to BINDER factory standard following DIN 12880, observing the recommended wall clearances of 10 % of the height, width, and depth of the inner chamber. Technical data refers to 100 % fan speed. All indications are average values, typical for units produced in series. We reserve the right to change technical specifications at any time.

Description	FD720-400V¹
Article Number	9010-0311
Air change data	
Air change (approx.) at 100 °C [x/h]	5
Electrical data	
Rated Voltage [V]	400
Power frequency [Hz]	50/60
Nominal power [kW]	4.5
Unit fuse [A]	3 x 16
Phase (Nominal voltage)	3~
Measures	
Interior volume [cu.ft.]	26.2
Net weight of the unit (empty) [lbs]	357
Permitted load [lbs]	694
Load per rack [lbs]	99
Wall clearance back [in]	6.3
Wall clearance sidewise [in]	3.94
Internal Dimensions	
Width [in]	39.4
Height [in]	51.2
Depth [in]	22.46
Doors	
Unit doors	2
Housing dimensions not incl. fittings and connections	
Width net [in]	45.9
Height net [in]	62.6
Depth net [in]	34.28
Environment-specific data	
Energy consumption at 150 °C [Wh/h]	800
Sound-pressure level [dB(A)]	43
Fixtures	
Number of shelves (std./max.)	2/16

1 All technical data is specified for unloaded units with standard equipment at an ambient temperature of +22 °C ±3 °C and a power supply voltage fluctuation of ±10 %. The temperature data is determined to BINDER factory standard following DIN 12880, observing the recommended wall clearances of 10 % of the height, width, and depth of the inner chamber. Technical data refers to 100 % fan speed. All indications are average values, typical for units produced in series. We reserve the right to change technical specifications at any time.

DIMENSIONS INCL. FITTINGS AND CONNECTIONS [MM]



OPTIONS

Designation	Description	*	Art.-No.
Access port with silicone plug	left		
	10 mm	01	8012-1276
	30 mm	01	8012-1016
	50 mm	01	8012-1020
	100 mm	01	8012-1027
	right		
	10 mm	01	8012-1269
	30 mm	01	8012-1015
	50 mm	01	8012-1019
	100 mm	01	8012-1028
	top		
	10 mm	01	8012-1263
	30 mm	01	8012-1364
	50 mm	01	8012-1380
	100 mm	01	8012-1671
	Alarm function for overheating	Switchable acoustic alarm, with adjustable limit value on the independent temperature safety device	-
Analog output 4-20 mA	for temperature values (output not adjustable)	02	8012-1624
Calibration certificate, expanded	for temperature; for extending the measurement in center of chamber to include another test temperature	-	8012-1116
Calibration certificate, temperature	for temperature, measurement in center of chamber at specified temperature	-	8012-1135
	temperature measurement incl. certificate and 27 measuring points at specified temperature	-	8012-1594
	temperature measurement incl. certificate, 15- 18 measuring points at specified temperature	-	8012-1573
	temperature measurement incl. certificate, 9 measuring points at specified temperature	-	8012-1552
Class 3.1 independent temperature safety device	with visual alarm (DIN 12880)	-	8012-1643
Clock	battery-backed	-	8012-1641
Door gasket	made of FKM, silicone-free	-	8012-1833
Door lock	lockable door handle	-	8012-1818
Ethernet interface	for Multi Management Software APT-COM™	-	8012-0989
Fan, reinforced	for increased air change rates, incl. uprated heat output for faster heating up time and improved recovery time; max. 300 °C; not in conjunction with load management option		
	400 V option model	-	8012-1062
Heating output, reinforced	For faster heating up time and improved recovery time; max. 300 °C		
	400 V option model	-	8012-1061
HEPA air filter	On fresh air supply for unit; filter classification H14 (acc. to. EN 1822-1:2009, > 99.995% at 0.3 µm)	-	8012-1099
Inner chamber, reinforced	max. total load 350 kg	-	8012-1821
Interior lighting	with two 15 W light bulbs		
	400 V option model	-	8012-1825
Measurement of air exchange rate	in accordance with ASTM D5374, definition and protocol according to ambient temperature	-	8012-1195
Pt 100 temperature sensor	additional flexible Pt 100, interior, for displaying the temperature on the unit display	-	8012-1620
Viewing window and interior lighting	viewing window (triple insulating glass) in door, 300 x 480 mm, and 30 W interior		
	400 V option model	-	8012-1831

* Notes › See last page

ACCESSORIES

Designation	Description	*	Art.-No.
Multi Management Software	Multi Management Software APT-COM™ version 4, BASIC edition	-	9053-0039
	version 4, GLP edition	-	9053-0042
	version 4, PROFESSIONAL edition	-	9053-0040
pH-neutral detergent	concentrated, for gentle remove of residual contaminants; 1 kg	-	1002-0016
Qualification documents	IQ/OQ documents – supporting documents for validation performed by customers, consisting of: IQ/OQ checklists incl. calibration guide and comprehensive unit documentation; parameters: temperature, CO ₂ , O ₂ , pressure, depending on unit		
	Digital in PDF format	-	7057-0001
	Hard copy inside folder	-	7007-0001
Rack	IQ/OQ/PQ documents – supporting documents for validation performed by customers, according to customer requirements, PQ section added to qualification folder IQ/OQ; parameters: temperature, CO ₂ , O ₂ – or pressure, depending on unit		
	Digital in PDF format	-	7057-0005
	Hard copy inside folder	-	7007-0005
Rack, heavy load	chrome plated	-	8012-2044
	stainless steel	-	6004-0155
Rack, heavy load	Stainless steel, max. load per rack 70 kg	-	6004-0204
Shelf, perforated	Stainless steel	-	6004-0187

* Notes › See last page

SERVICES

Designation	Description	*	Art.-No.
Installation services			
Unit installation	Connect the unit to the customer-side connections (electricity, water, wastewater, gas), basic functions check, brief operating instructions. (excl.: unpacking, setup, controller instructions, programming, installation work)	05	DL10-0100
Unit instructions	Instruction regarding operating principle and basic functions of the unit, operation of the control electronics including programming	05	DL10-0500
Maintenance services			
BRONZE 3-year maintenance contract	Maintenance service as contractually agreed, visual inspection of mechanical and electrical components, check of control response, 20% discount on spare parts	05	DL20-0710
GOLD 3-year maintenance contract	Maintenance service as contractually agreed, visual inspection of mechanical and electrical components, check of control response, 20% discount on spare parts, testing of all key functions, replacement of wear parts, calibration of one test temperature specified by the user in the center of the usable space, including certificate	05	DL20-0910
Maintenance	One-off maintenance service in accordance with maintenance schedule. Visual inspection of mechanical and electrical components, testing of all key functions. Calibration of a test temperature specified by the user in center of usable space without certificate	05	DL20-0200
SILVER 3-year maintenance contract	Maintenance service as contractually agreed, visual inspection of mechanical and electrical components, check of control response, 20% discount on spare parts, testing of all key functions, calibration of one test temperature specified by the user in the center of the usable space, without certificate	05	DL20-0810
Calibration services			
Measurement of air exchange rate	including certificate (in accordance with ASTM D5374)	03, 04, 05	DL33-0000
Temperature calibration	Calibration of one (1) test temperature specified by the user in center of chamber, including certificate	03, 04, 05	DL30-0101
	Extension of calibration of one (1) additional test temperature specified by the user in the center of the usable space, including certificate	03, 04, 05	DL30-0102
Temperature measurement, 18 measuring points	Temperature measurement with 18 measuring points with a set value specified by the user, including certificate	03, 04, 05	DL30-0118
Temperature measurement, 27 measuring points	Temperature measurement with 27 measuring points with a set value specified by the user, including certificate	03, 04, 05	DL30-0127
Temperature measurement, 9 measuring points	Temperature measurement with 9 measuring points with a set value specified by the user, including certificate	03, 04, 05	DL30-0109

* Notes › See last page

Designation	Description	*	Art.-No.
Validation services			
Execution of IQ/OQ	Execution of IQ/OQ in accordance with qualification folder	05	DL40-0100
Execution of IQ/OQ/PQ	Execution of IQ/OQ/PQ in accordance with qualification folder	05	DL44-0500
Warranty service			
Warranty extension from 2 to 3 years	The warranty is extended by 1 year from the delivery date, wear parts are excluded	-	DL50-0010

* Notes › See last page

NOTES

- 01 Condensation may occur in the area around the access port. Access ports may be placed in custom locations for an additional charge.
- 02 UL mark is not granted when this option is used.
- 03 Sensor calibration is performed in an accredited calibration laboratory.
- 04 Calibration is performed according to the BINDER factory standard.
- 05 Quoted prices do not include travel costs. Please refer to the chapter on BINDER Service for travel costs for your region. Quoted prices for services performed in Switzerland do not include a country-specific added fee (available on request).

BINDER GmbH

Tuttlingen, Germany
TEL +49 7462 2005 0
FAX +49 7462 2005 100
info@binder-world.com
www.binder-world.com

BINDER Asia Pacific (Hong Kong) Ltd.

Kowloon, Hong Kong, P.R. China
TEL +852 39070500
FAX +852 39070507
asia@binder-world.com
www.binder-world.com

Representative Office for CIS

Moscow, Russia
TEL +7 495 988 15 16
FAX +7 495 988 15 17
russia@binder-world.com
www.binder-world.com

**BINDER Environmental Testing
Equipment (Shanghai) Co., Ltd.**

Shanghai, P.R. China
TEL +86 21 685 808 25
FAX +86 21 685 808 29
china@binder-world.com
www.binder-world.com

BINDER Inc.

Bohemia, NY, USA
TEL +1 631 224 4340
FAX +1 631 224 4354
usa@binder-world.com
www.binder-world.us