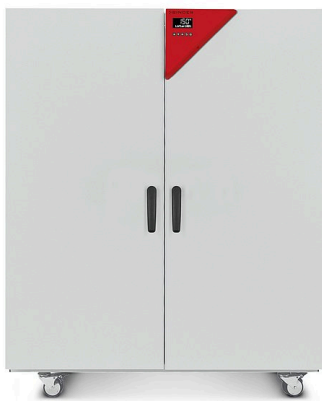


Model BD 720 | Standard-Incubators with gravity convection

The BD Avantgarde.Line series is specially designed for gentle incubation of organisms, as well as conditioning of heat-sensitive media. The new design of the units and the homogeneous temperature distribution ensure the very best results.

BENEFITS

- Excellent temporal and spatial temperature accuracy
- High process reliability
- 100 °C disinfection routine



Model 720



Model 56

MAIN FEATURES

- Temperature range: ambient temperature plus 5 °C to 100 °C
- High temperature accuracy thanks to APT.line™ technology
- Gravity convection
- Controller with LCD display
- Electromechanical control of the exhaust air flap
- Inner door made of tempered safety glass
- 2 chrome-plated racks
- Class 3.1 integrated independent temperature safety device (DIN 12880) with visual alarm
- Ergonomic handle design
- USB port for recording data

ORDERING INFORMATION

Interior volume [cu.ft.]	Voltage	Option model	Version	Art.-No.
26	230 V 1~ 50/60 Hz	Standard	BD720-230V	9010-0331
	240 V 1~ 50/60 Hz	Standard	BD720UL-240V	9010-0332

TECHNICAL DATA

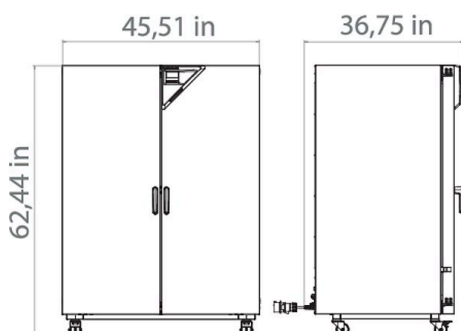
Description	BD720-230V ¹	BD720UL-240V ¹
Article Number	9010-0331	9010-0332
Performance Data Temperature		
Temperature range +5 °C above ambient temperature to [°C]	100	100
Temperature variation at 37 °C [± K]	0.7	0.7
Temperature fluctuation at 37 °C [± K]	0.1	0.1
Heating-up time to 37 °C [min]	70	70
Recovery time after 30 seconds door open at 37 °C [min]	23	23

1 All technical data is specified for unloaded units with standard equipment at an ambient temperature of +22 °C ±3 °C and a power supply voltage fluctuation of ±10%. The temperature data is determined in accordance to BINDER factory standard following DIN 12880, observing the recommended wall clearances of 10 % of the height, width, and depth of the inner chamber. All indications are average values, typical for units produced in series. We reserve the right to change technical specifications at any time.

Description	BD720-230V ¹	BD720UL-240V ¹
Article Number	9010-0331	9010-0332
Electrical data		
Rated Voltage [V]	230	240
Power frequency [Hz]	50/60	50/60
Nominal power [kW]	1.65	1.75
Unit fuse [A]	16	16
Phase (Nominal voltage)	1~	1~
Measures		
Interior volume [cu.ft.]	26	26
Net weight of the unit (empty) [lbs]	375	375
Permitted load [lbs]	694	694
Load per rack [lbs]	99	99
Wall clearance back [in]	6.3	6.3
Wall clearance sidewise [in]	3.94	3.94
Internal Dimensions		
Width [in]	37.82	37.82
Height [in]	50.4	50.4
Depth [in]	23.64	23.64
Doors		
Inner doors	2	2
Unit doors	2	2
Housing dimensions not incl. fittings and connections		
Width net [in]	45.9	45.9
Height net [in]	62.6	62.6
Depth net [in]	34.28	34.28
Environment-specific data		
Energy consumption at 37 °C [Wh/h]	78	78
Fixtures		
Number of shelves (std./max.)	2/16	2/16

¹ All technical data is specified for unloaded units with standard equipment at an ambient temperature of +22 °C ±3 °C and a power supply voltage fluctuation of ±10%. The temperature data is determined in accordance to BINDER factory standard following DIN 12880, observing the recommended wall clearances of 10 % of the height, width, and depth of the inner chamber. All indications are average values, typical for units produced in series. We reserve the right to change technical specifications at any time.

DIMENSIONS INCL. FITTINGS AND CONNECTIONS [MM]



OPTIONS

Designation	Description	*	Art.-No.
Access port with silicone plug	back		
	10 mm	01	8012-0390
	30 mm	01	8012-0397
	50 mm	01	8012-0399
	left		
	10 mm	01	8012-0388
	30 mm	01	8012-0047
	50 mm	01	8012-0051
	right		
	10 mm	01	8012-0387
	30 mm	01	8012-0046
	50 mm	01	8012-0050
	top		
	10 mm	01	8012-0386
	30 mm	01	8012-0045
	50 mm	01	8012-0049
100 mm	01	8012-0053	
Alarm function for overheating	Switchable acoustic alarm, with adjustable limit value on the independent temperature safety device	-	8012-0979
Analog output 4-20 mA	for temperature values (output not adjustable)	02	8012-0941
Calibration certificate, expanded	for temperature; for extending the measurement in center of chamber to include another test temperature	-	8012-1110
Calibration certificate, temperature	for temperature, measurement in center of chamber at specified temperature	-	8012-1129
	temperature measurement incl. certificate and 27 measuring points at specified temperature	-	8012-0921
	temperature measurement incl. certificate, 15- 18 measuring points at specified temperature	-	8012-0918
	temperature measurement incl. certificate, 9 measuring points at specified temperature	-	8012-0915
Clock	battery-backed	-	8012-0981
Door lock	lockable door handle	-	8012-1026
Ethernet interface	for Multi Management Software APT-COM™	-	8012-0987
Inner chamber, reinforced	max. total load 350 kg	-	8012-1828
Pt 100 temperature sensor	additional flexible Pt 100, interior, for displaying the temperature on the unit display	-	8012-0940

* Notes › See last page

ACCESSORIES

Designation	Description	*	Art.-No.
Multi Management Software	Multi Management Software APT-COM™		
	version 4, BASIC edition	-	9053-0039
	version 4, GLP edition	-	9053-0042
	version 4, PROFESSIONAL edition	-	9053-0040
pH-neutral detergent	concentrated, for gentle remove of residual contaminants; 1 kg	-	1002-0016

* Notes › See last page

Designation	Description	*	Art.-No.
Qualification documents	IQ/OQ documents – supporting documents for validation performed by customers, consisting of: IQ/OQ checklists incl. calibration guide and comprehensive unit documentation; parameters: temperature, CO ₂ , O ₂ , pressure, depending on unit		
	Digital in PDF format	–	7057-0001
	Hard copy inside folder	–	7007-0001
	IQ/OQ/PQ documents – supporting documents for validation performed by customers, according to customer requirements, PQ section added to qualification folder IQ/OQ; parameters: temperature, CO ₂ , O ₂ – or pressure, depending on unit		
Rack	Digital in PDF format	–	7057-0005
	Hard copy inside folder	–	7007-0005
Rack	chrome plated	–	8012-2045
	stainless steel	–	6004-0163
Rack, heavy load	Stainless steel, max. load per rack 70 kg	–	6004-0246
Shelf, perforated	Stainless steel	–	6004-0195

* Notes › See last page

SERVICES

Designation	Description	*	Art.-No.
Installation services			
Unit installation	Connect the unit to the customer-side connections (electricity, water, wastewater, gas), basic functions check, brief operating instructions. (excl.: unpacking, setup, controller instructions, programming, installation work)	05	DL10-0100
Unit instructions	Instruction regarding operating principle and basic functions of the unit, operation of the control electronics including programming	05	DL10-0500
Maintenance services			
BRONZE 3-year maintenance contract	Maintenance service as contractually agreed, visual inspection of mechanical and electrical components, check of control response, 20% discount on spare parts	05	DL20-0710
GOLD 3-year maintenance contract	Maintenance service as contractually agreed, visual inspection of mechanical and electrical components, check of control response, 20% discount on spare parts, testing of all key functions, replacement of wear parts, calibration of one test temperature specified by the user in the center of the usable space, including certificate	05	DL20-0910
Maintenance	One-off maintenance service in accordance with maintenance schedule. Visual inspection of mechanical and electrical components, testing of all key functions. Calibration of a test temperature specified by the user in center of usable space without certificate	05	DL20-0200
SILVER 3-year maintenance contract	Maintenance service as contractually agreed, visual inspection of mechanical and electrical components, check of control response, 20% discount on spare parts, testing of all key functions, calibration of one test temperature specified by the user in the center of the usable space, without certificate	05	DL20-0810
Calibration services			
Temperature calibration	Calibration of one (1) test temperature specified by the user in center of chamber, including certificate	03, 04, 05	DL30-0101
	Extension of calibration of one (1) additional test temperature specified by the user in the center of the usable space, including certificate	03, 04, 05	DL30-0102
Temperature measurement, 18 measuring points	Temperature measurement with 18 measuring points with a set value specified by the user, including certificate	03, 04, 05	DL30-0118
Temperature measurement, 27 measuring points	Temperature measurement with 27 measuring points with a set value specified by the user, including certificate	03, 04, 05	DL30-0127
Temperature measurement, 9 measuring points	Temperature measurement with 9 measuring points with a set value specified by the user, including certificate	03, 04, 05	DL30-0109
Validation services			
Execution of IQ/OQ	Execution of IQ/OQ in accordance with qualification folder	05	DL40-0100
Execution of IQ/OQ/PQ	Execution of IQ/OQ/PQ in accordance with qualification folder	05	DL44-0500
Warranty service			
Warranty extension from 2 to 3 years	The warranty is extended by 1 year from the delivery date, wear parts are excluded	–	DL50-0010

* Notes › See last page

NOTES

- 01 Condensation may occur in the area around the access port. Access ports may be placed in custom locations for an additional charge.
- 02 UL mark is not granted when this option is used.
- 03 Sensor calibration is performed in an accredited calibration laboratory.
- 04 Calibration is performed according to the BINDER factory standard.
- 05 Quoted prices do not include travel costs. Please refer to the chapter on BINDER Service for travel costs for your region. Quoted prices for services performed in Switzerland do not include a country-specific added fee (available on request).

BINDER GmbH

Tuttlingen, Germany
TEL +49 7462 2005 0
FAX +49 7462 2005 100
info@binder-world.com
www.binder-world.com

BINDER Asia Pacific (Hong Kong) Ltd.

Kowloon, Hong Kong, P.R. China
TEL +852 39070500
FAX +852 39070507
asia@binder-world.com
www.binder-world.com

Representative Office for CIS

Moscow, Russia
TEL +7 495 988 15 16
FAX +7 495 988 15 17
russia@binder-world.com
www.binder-world.com

**BINDER Environmental Testing
Equipment (Shanghai) Co., Ltd.**

Shanghai, P.R. China
TEL +86 21 685 808 25
FAX +86 21 685 808 29
china@binder-world.com
www.binder-world.com

BINDER Inc.

Bohemia, NY, USA
TEL +1 631 224 4340
FAX +1 631 224 4354
usa@binder-world.com
www.binder-world.us