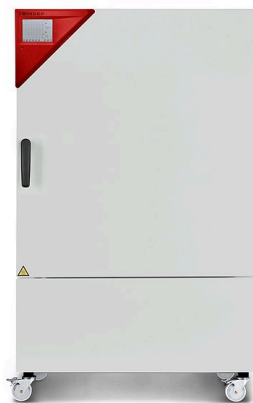


Model KBW 240 | Growth chambers with light

The BINDER climate chamber with illumination of the KBW series achieves homogeneous light distribution with its natural illumination. That allows this growth chamber to create constant lighting and temperature conditions.

BENEFITS

- Patented lighting system ensures homogeneous light distribution
- Flexible positioning of illumination cassettes, three different light spectra, individually selectable
- Integrated weekly program in real-time



Model 240

MAIN FEATURES

- Temperature range: 0 °C to 70 °C
- Temperature range with light: 5 °C to 60 °C
- 2 positionable illumination cassettes, each with 5 fluorescent tubes
- APT.line™ preheating chamber technology
- Adjustable fan speed
- Intuitive touchscreen controller with time-segment and real-time programming with internal data recording
- Tight-sealing inner door made of safety glass (ESG)
- Avoidance of glass corrosion by special TIMELESS coating
- 2 stainless steel racks
- Access port with silicone plug, 30 mm, left
- Class 3.1 independent temperature safety device (DIN 12880) with visual and audible temperature alarm
- Computer interface: Ethernet
- Door heating

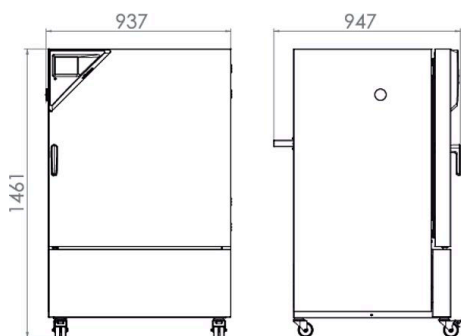
ORDERING INFORMATION

Interior volume [L]	Voltage	Option model	Version	Art.-No.
247	200...240 V 1~ ph 50 Hz	Standard	KBW240-230V	9020-0338

TECHNICAL DATA

Description	KBW240-230V ¹
Article Number	9020-0338
Performance Data Temperature	
Temperature range with 100% illumination [°C]	5...60
Temperature range without illumination cassettes [°C]	0...70
Temperature variation with 100% illumination [± K]	0.5
Temperature variation without illumination cassettes [± K]	0.5
Temperature fluctuation with 100% illumination [± K]	0.2
Temperature fluctuation without illumination cassettes [± K]	0.1
Lightdata per Illumination Cassettes	
Daylight tubes [W/m ²]* ²	24
Daylight tubes [lx]* ²	9000
Fluora® growth lamps [W/m ²]* ²	23
Fluora® growth lamps [lx]* ²	7500
Arabidopsis lamps [W/m ²]* ²	32
Arabidopsis lamps [lx]* ²	11000
Electrical data	
Rated Voltage [V]	200...240
Power frequency [Hz]	50
Nominal power [kW]	1.4
Unit fuse [A]	16
Phase (Nominal voltage)	1~
Measures	
Interior volume [L]	247
Net weight of the unit (empty) [kg]	202
Permitted load [kg]	100
Load per rack [kg]	30
Wall clearance back [mm]	100
Wall clearance sidewise [mm]	100
Internal Dimensions	
Width [mm]	650
Height [mm]	785
Depth [mm]	485
Doors	
Inner doors	1
Unit doors	1
Housing dimensions not incl. fittings and connections	
Width net [mm]	925
Height net [mm]	1465
Depth net [mm]	800
Environment-specific data	
Energy consumption at 37 °C and with illumination [Wh/h]	450
Sound-pressure level [dB(A)]	53
Fixtures	
Number of shelves (std./max.)	2/7
Number of illumination cassettes (std./max.)	2/2

- 1 All technical data is specified for unloaded units with standard equipment at an ambient temperature of +22 °C ±3 °C and a power supply voltage fluctuation of ±10 %. The temperature data is determined in accordance to BINDER factory standard following DIN 12880, observing the recommended wall clearances of 10 % of the height, width, and depth of the inner chamber. Technical data refers to 100 % fan speed. All indications are average values, typical for units produced in series. We reserve the right to change technical specifications at any time.
- 2 Average value, measured at 25 °C with a spherical sensor (±10 %) by 12 cm below the light cassette. The values given in W/m² refer to global radiation.

DIMENSIONS incl. fittings and connections [mm]**OPTIONS**

Designation	Description	*	Art.-No.
	left		
	30 mm	01	8012-1445
	50 mm	01	8012-1475
	right		
Access port with silicone plug	30 mm	01	8012-1439
	50 mm	01	8012-1469
	top		
	30 mm	01	8012-1451
	50 mm	01	8012-1457
	100 mm	01	8012-1463
Alarm output, zero-voltage	for temperature (± 2 °C) and humidity (± 5 % RH), accessible via 6-pin DIN socket (max. 24 V - 2.5 A), with audible signal that can be switched off	-	8012-1757
Analog output 4-20 mA	for temperature and humidity values (output not adjustable)	-	8012-1721
Arabidopsis illumination	Illumination cassettes equipped with Arabidopsis fluorescent tubes instead of daylight fluorescent tubes	-	8012-0655
Calibration certificate, expanded	for temperature; for extending the measurement in center of chamber to include another test temperature	-	8012-1121
	for temperature, measurement in center of chamber at specified temperature	-	8012-1140
Calibration certificate, temperature	temperature measurement incl. certificate and 27 measuring points at specified temperature	-	8012-1599
	temperature measurement incl. certificate, 15- 18 measuring points at specified temperature	-	8012-1578
	temperature measurement incl. certificate, 9 measuring points at specified temperature	-	8012-1557
Class 3.3 independent temperature safety device	with visual alarm (DIN 12880)	-	8012-1750
Door lock	lockable door handle	-	8012-1775
FLUORA® illumination	Illumination cassettes equipped with FLUORA® fluorescent tubes instead of daylight fluorescent tubes	-	8012-0654
Interior socket	Waterproof, switched flush-mounting box (CA3GD) for nominal voltage in unit interior, with cover and corresponding plug (nominal voltage; max. 500 W; max. 90 °C; protection class IP67)	07	8012-1741
Light photometry	including certificate, illumination and irradiance for visible light and UV-A, 25 measuring points on 3 measurement levels, as well as spectral distribution (250 – 785 nm)	-	8012-0910
Pt 100 temperature sensor	additional flexible Pt 100, interior, for displaying the temperature on the unit display	-	8012-1746
RS 485 interface, 2-wire	Additional serial interface can be used parallel to Ethernet, for Multi Management Software APT-COM™	-	8012-1742
Shelf, reinforced	positioned at bottom level, max. load 45 kg, with additional attachment for operation of shaking device, stirring device or roller bottle system	-	8012-1429
Zero voltage relay contacts	for controlling 3 relay contacts via program regulators, accessible via 6-pin DIN socket (max. 24 V - 2.5 A)	-	8012-0679

* Notes › See last page

ACCESSORIES

Designation	Description	*	Art.-No.
APT-COM™ 4 BASIC-Edition	for simple logging and documentation requirements with up to 5 networked units. version 4, BASIC edition	19	9053-0039
APT-COM™ 4 GLP-Edition	for working under GLP-compliant conditions. Measured values are documented in a tamper-proof way in line with the requirements of FDA Regulation 21 CFR 11. version 4, GLP edition	19	9053-0042
APT-COM™ 4 PROFESSIONAL-Edition	convenient unit and user management built on the BASIC edition. Suitable for networking up to 100 units. version 4, PROFESSIONAL edition	19	9053-0040
Data Logger Kit	T 220: For continuous temperature logging from -90 °C to 220 °C. The kit includes 1 data logger, Pt 100 sensor with 2 m extension cable and 1 magnetic fixture for mounting to the BINDER unit	19	8012-0715
Data Logger Software	LOG ANALYZE software kit, configuration and evaluation software for all BINDER Data Logger Kits (incl. USB data cable)	19	8012-0821
pH-neutral detergent	concentrated, for gentle remove of residual contaminants; 1 kg	-	1002-0016
Qualification documents	IQ/OQ documents – supporting documents for validation performed by customers, consisting of: IQ/OQ checklists incl. calibration guide and comprehensive unit documentation; parameters: temperature, humidity, and light values		
	Digital in PDF format	-	7057-0003
	Hard copy inside folder	-	7007-0003
	IQ/OQ/PQ documents – supporting documents for validation performed by customers, according to customer requirements, PQ section added to qualification folder IQ/OQ; parameters: temperature, humidity, and light values		
	Digital in PDF format	-	7057-0007
	Hard copy inside folder	-	7007-0007
Rack	stainless steel	-	6004-0101
Rack accessories	fasteners (1 set of 4) for additional security of racks	-	8012-0620
Rack, reinforced	stainless steel, with fasteners (1 set of 4)	-	8012-0638
RS 485 / RS 422 interface converter	RS 422 cable set and RS 485 / RS 422 interface converter for connection to 10-way plug distributor		
	115 V option model	-	8012-0599
	230 V option model	-	8012-0589
Shelf, perforated	Stainless steel	-	6004-0040

* Notes › See last page

SERVICES

Designation	Description	*	Art.-No.
Installation services			
Unit installation	Unpacking and setting up of unit, connecting to existing connections, and checking function	13, 18	DL10-0300
Unit instructions	Unit function instructions for operation and programming of the controller	18	DL10-0700
Preventive maintenance			
Maintenance	Functional testing of all electrical and mechanical components, short calibration, documentation in the maintenance schedule	14, 18	DL20-0400
Calibration services			
Radiometric light photometry	Radiometric measurement in the visible spectrum with determination and documentation of intensity distribution from an illumination cassette on 3 measurement levels, including certificate	14, 16, 17, 18	DL31-0000
Temperature calibration	Expansion – including certificate, each additional measuring point in center of chamber at specified test temperature	14, 16, 17, 18	DL30-0102
	Temperature calibration with 1 measuring point in center of chamber at a specified test temperature, including certificate	14, 16, 17, 18	DL30-0101
Temperature measurement, 27 measuring points	Temperature measurement with 27 measuring points at a specified test temperature, including certificate	14, 16, 17, 18	DL30-0127
Temperature measurement, 9 measuring points	Temperature measurement with 9 measuring points at a specified test temperature, including certificate	14, 16, 17, 18	DL30-0109
Validation services			
Execution of IQ/OQ incl. light photometry	Execution of IQ/OQ including light photometry in accordance with qualification folder	15, 18	DL43-0400

* Notes › See last page

Designation	Description	*	Art.-No.
Execution of IQ/OQ/PQ	Execution of IQ/OQ/PQ in accordance with qualification folder	15, 18	DL44-0500
Warranty service			
Warranty extension from 2 to 3 years	The warranty is extended from 2 to 3 years from the delivery date, wear parts are excluded	-	DL02-2041
Warranty extension from 2 to 5 years	The warranty is extended from 2 to 5 years from the delivery date, wear parts are excluded	-	DL02-2042

* Notes › See last page

NOTES

- 01 Condensation may occur in the area around the access port. Access ports may be placed in custom locations for an additional charge.
- 02 UL mark is not granted when this option is used.
- 03 Heat resistant only to max. 200 °C.
- 04 Only available on units rated for 230 V.
- 07 The additional heat input may affect the temperature behavior.
- 09 Not in conjunction with the optional access port, door with window and interior lighting.
- 10 Not available on 23-liter units.
- 11 Not available on 23- or 53-liter units.
- 12 Only available on units rated for 230 V or 400 V.
- 13 Installation and connections take place at unit location; transport within the company only upon consultation.
- 14 We recommend a BINDER service contract to cover unit inspections, calibrations and validations.
- 15 OQ according to Yellow Paper = completed factory validation documentation of all OQ checklists.
- 16 Sensor calibration is performed in an accredited calibration laboratory.
- 17 Calibration is performed according to the BINDER factory standard.
- 18 Quoted prices do not include travel costs. Please refer to the chapter on BINDER Service for travel costs for your region. Quoted prices for services performed in Switzerland do not include a country-specific added fee (available on request).
- 19 For additional accessories, refer to the Process documentation chapter.

BINDER GmbH

Tuttlingen, Germany
TEL +49 7462 2005 0
FAX +49 7462 2005 100
info@binder-world.com
www.binder-world.com

BINDER Asia Pacific (Hong Kong) Ltd.

Kowloon, Hong Kong, P.R. China
TEL +852 39070500
FAX +852 39070507
asia@binder-world.com
www.binder-world.com

Representative Office for CIS

Moscow, Russia
TEL +7 495 988 15 16
FAX +7 495 988 15 17
russia@binder-world.com
www.binder-world.com

**BINDER Environmental Testing
Equipment (Shanghai) Co., Ltd.**

Shanghai, P.R. China
TEL +86 21 685 808 25
FAX +86 21 685 808 29
china@binder-world.com
www.binder-world.com

BINDER Inc.

Bohemia, NY, USA
TEL +1 631 224 4340
FAX +1 631 224 4354
usa@binder-world.com
www.binder-world.us