

VAP 5 vacuum pump

ATEX chemical membrane pump



ATEX chemical membrane pump with nominal air flow of 3.9 m³/h, final pressure < 2 mbar

5013-0220 230V/50 Hz with CEE 7/4 plug

5013-0220-UK 230 V/50 Hz with UK plug

5013-0221 120V/60Hz with NEMA plug (USA)

Important features

- Nominal air flow 3.9 m³/h
- End vacuum < 2 mbar
- Noise level < 50 dB(A)

Applications

- Vacuum drying of flammable solvents up to an ignition temperature of 200°C, and non-flammable solvents
- Designed for continuous operation

Benefits

- Explosion-proof ATEX pump, suitable for installation in Zone 2
- Effective and rapid drying even of solvents with higher boiling points, thanks to a high pump volume of 3.9 m³/h and high end vacuum < 2 mbar
- Ideally suited to operation with BINDER series VDL vacuum drying chambers
- Resistant to numerous chemicals
- Low-noise operation

Scope of delivery

- Pump stand with vacuum pump
- 500 ml flask on inlet side (material trap)
- Cooling condenser on outlet side with 500 ml flask
- 3 m power supply cable, with CEE 7/4 plug (German Schuko socket)
(options for other countries are available, see the additional information on page 2)

Technical data

- Nominal air flow 3.9 m³/h (120V/60Hz model: 4.3 m³/h)
- End vacuum < 2 mbar
- H x W x D (mm): 530 x 330 x 360
- Unpackaged weight: 28.2 kg
- Packaged weight: 31 kg
- Voltage: 230 V / 50 Hz
- Nominal power: 460 W
- Inert gas requirement: 10 l/h (operation with and without inert gas possible)

Vacuum pump materials

- Pump heads: PTFE
- Molded diaphragm: PTFE coating on elastomer
- Valves: PEEK
- Seals: EPDM

Pneumatic connections

- Vacuum hoses: PTFE
- Screw connections: PVDF
- O-ring seals: EPDM
- Separator / emission condenser: glass

Condensate tank: Glass (vacuum-insulated)

- Hose nozzle: PTFE
- Connector block incl. hose nozzle: PVDF

Additional information

Vacuum pump connection kit (ATEX) – item no.: 8012-2029, for VAP 5 vacuum pump, consisting of metal hose, 1.5 meters long, clamping ring, internal centering ring

Country-specific options with

Plug for CH: item no. 5013-0220-CH

Plug for UK: item no. 5013-0220-UK

Service kit – item no. 8500-0160;
we recommend replacing the membranes annually

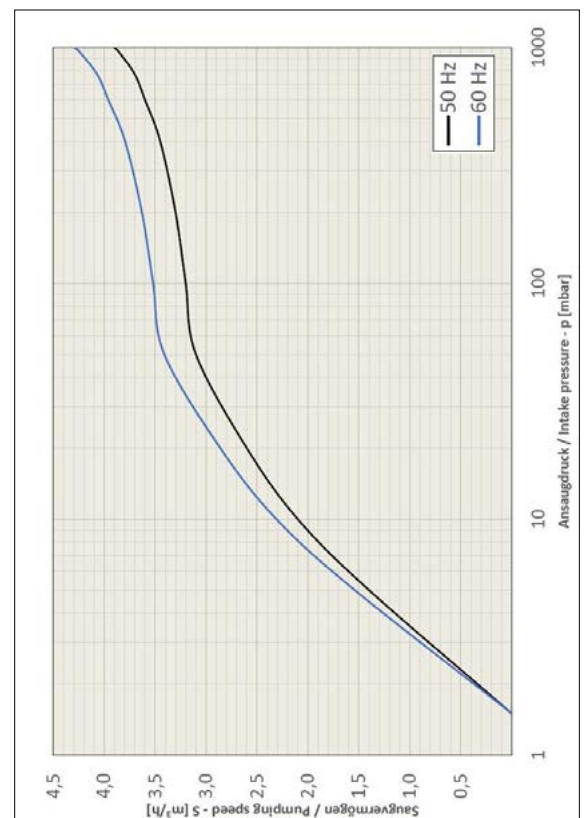
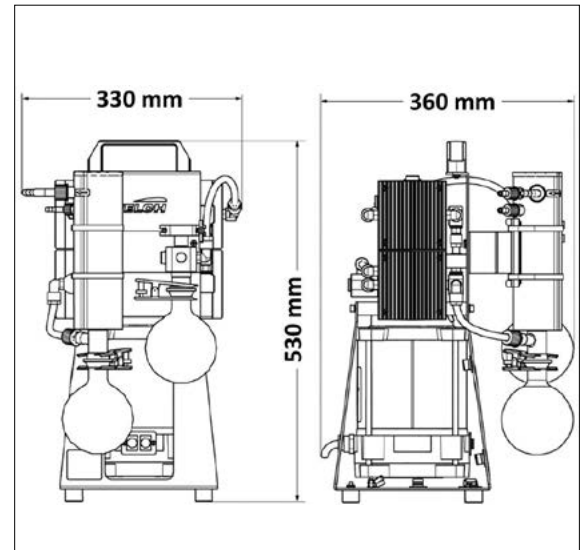
Customs tariff number of the pump: 841410

Available for

VDL023 - 230 V – item no.: 9630-0009

VDL056 - 230 V – item no.: 9630-0010

VDL115 - 230 V – item no.: 9630-0011



Pump characteristic
Pumping speed – ISO 21360 (p = constant)



CONTACT

Phone: +49 (0) 7462/20050
Email: info@binder-world.com
www.binder-world.com