

Model KB 115 | Cooling incubators with powerful compressor cooling

The powerful virtuoso in cooling incubators for microorganisms: the KB masters temperature ranges from -10 °C to 100 °C. The new KB series consumes up to 30% less energy compared to its predecessor. With its extensive programming options and homogenous incubation conditions even when fully loaded, this cooling incubator covers a wide range of applications.

BENEFITS

- Safe, reproducible incubation, even at high ambient temperatures
- Disinfection routine at +100 °C
- Up to 30% lower energy consumption compared to the previous model



Model 115



Model 115

MAIN FEATURES

- Temperature range: -10 °C to +100 °C
- APT.line™ preheating chamber technology
- Up to 30% lower energy consumption compared to the previous model
- Cooling with compressor cooling unit
- Adjustable fan speed
- Controller with time-segment and real-time programming
- Inner door made of tempered safety glass
- 2 stainless steel racks
- Stackable
- Class 3.1 independent temperature safety device (DIN 12880) with visual and acoustic alarm
- Computer interface: Ethernet

ORDERING INFORMATION

Interior volume [L]	Voltage	Option model	Version	Art.-No.
115	230 V 1~ ph 50 Hz	Standard	KB115-230V	9020-0397
	120 V 1~ ph 60 Hz	Standard	KB115UL-120V	9020-0398

TECHNICAL DATA

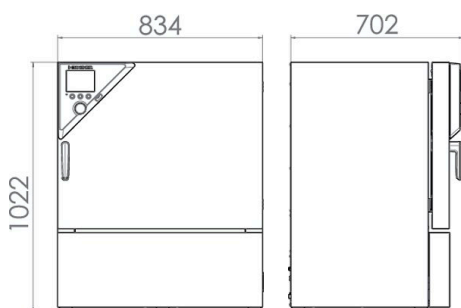
Description	KB115-230V ¹	KB115UL-120V ¹
Article Number	9020-0397	9020-0398
Performance Data Temperature		
Temperature range	-10...100	-10...100
Temperature fluctuation at 37 °C [± K]	0.1	0.1
Recovery time after 30 seconds door open at 37 °C [min]	2	2

1 All technical data is specified for unloaded units with standard equipment at an ambient temperature of +22 °C ±3 °C and a power supply voltage fluctuation of ±10 %. The temperature data is determined in accordance to BINDER factory standard following DIN 12880, observing the recommended wall clearances of 10 % of the height, width, and depth of the inner chamber. Technical data refers to 100 % fan speed. All indications are average values, typical for units produced in series. We reserve the right to change technical specifications at any time.

Description	KB115-230V ¹	KB115UL-120V ¹
Article Number	9020-0397	9020-0398
Electrical data		
Rated Voltage [V]	230	120
Power frequency [Hz]	50	60
Nominal power [kW]	0.7	0.7
Unit fuse [A]	10	12.5
Phase (Nominal voltage)	1~	1~
Measures		
Interior volume [L]	115	115
Net weight of the unit (empty) [kg]	105	105
Permitted load [kg]	50	50
Load per rack [kg]	20	20
Wall clearance back [mm]	100	100
Wall clearance sidewise [mm]	100	100
Internal Dimensions		
Width [mm]	600	600
Height [mm]	480	480
Depth [mm]	400	400
Doors		
Inner doors	1	1
Unit doors	1	1
Housing dimensions not incl. fittings and connections		
Width net [mm]	835	835
Height net [mm]	1025	1025
Depth net [mm]	650	650
Environment-specific data		
Energy consumption at 37 °C [Wh/h]	75	75
Sound-pressure level [dB(A)]	49	49
Fixtures		
Number of shelves (std./max.)	2/5	2/5

1 All technical data is specified for unloaded units with standard equipment at an ambient temperature of +22 °C ±3 °C and a power supply voltage fluctuation of ±10 %. The temperature data is determined in accordance to BINDER factory standard following DIN 12880, observing the recommended wall clearances of 10 % of the height, width, and depth of the inner chamber. Technical data refers to 100 % fan speed. All indications are average values, typical for units produced in series. We reserve the right to change technical specifications at any time.

DIMENSIONS incl. fittings and connections [mm]



OPTIONS

Designation	Description	*	Art.-No.
Access port with silicone plug	back		
	10 mm	01	8012-0395
	30 mm	01	8012-1292
	50 mm	01	8012-1294
	left		
	10 mm	01	8012-0393
	30 mm	01	8012-1157
	right		
	10 mm	01	8012-0392
	30 mm	01	8012-1154
	top		
	10 mm	01	8012-0391
30 mm	01	8012-1151	
50 mm	01	8012-1160	
100 mm	01	8012-1167	
Alarm output, zero-voltage	for temperature (± 2 °C), accessible via 6-pin DIN socket (max. 24 V - 2.5 A), with audible signal that can be switched off	-	8012-1082
Calibration certificate, expanded	for temperature; for extending the measurement in center of chamber to include another test temperature	-	8012-1120
Calibration certificate, temperature	for temperature, measurement in center of chamber at specified temperature	-	8012-1139
	temperature measurement incl. certificate and 27 measuring points at specified temperature	-	8012-1598
	temperature measurement incl. certificate, 15- 18 measuring points at specified temperature	-	8012-1577
	temperature measurement incl. certificate, 9 measuring points at specified temperature	-	8012-1556
Class 3.3 independent temperature safety device	with visual alarm (DIN 12880)	-	8012-1080
Door lock	lockable door handle	-	8012-1773
Pt 100 temperature sensor	additional flexible Pt 100, interior, for displaying the temperature on the unit display	-	8012-1078
Shelf, reinforced	positioned at bottom level, max. load 45 kg, with additional attachment for operation of shaking device, stirring device or roller bottle system	-	8012-0288

* Notes › See last page

ACCESSORIES

Designation	Description	*	Art.-No.
APT-COM™ 4 BASIC-Edition	for simple logging and documentation requirements with up to 5 networked units. version 4, BASIC edition	-	9053-0039
APT-COM™ 4 GLP-Edition	for working under GLP-compliant conditions. Measured values are documented in a tamper-proof way in line with the requirements of FDA Regulation 21 CFR 11. version 4, GLP edition	-	9053-0042
APT-COM™ 4 PROFESSIONAL-Edition	convenient unit and user management built on the BASIC edition. Suitable for networking up to 100 units. version 4, PROFESSIONAL edition	-	9053-0040
LED light bars	Basic set consisting of 2 pieces, attachment material, control unit for max. 4 light strips, 100-240 V, 50/60 Hz		
	Basic set 300, length 30 cm	-	8012-1107
	Basic set 500, length 50 cm	-	8012-1108
	Expansion set consisting of 2 pieces, attachment material: clips. For expanding the basic set of light bars		
	Expansion set 300, length 30 cm	-	8012-1716
	Expansion set 500, length 50 cm	-	8012-1717
pH-neutral detergent	concentrated, for gentle remove of residual contaminants; 1 kg	-	1002-0016

* Notes › See last page

Designation	Description	*	Art.-No.
Qualification documents	IQ/OQ documents – supporting documents for validation performed by customers, consisting of: IQ/OQ checklists incl. calibration guide and comprehensive unit documentation; parameters: temperature, CO ₂ , O ₂ , pressure, depending on unit		
	Digital in PDF format	–	7057-0001
	Hard copy inside folder	–	7007-0001
	IQ/OQ/PQ documents – supporting documents for validation performed by customers, according to customer requirements, PQ section added to qualification folder IQ/OQ; parameters: temperature, CO ₂ , O ₂ – or pressure, depending on unit		
	Digital in PDF format	–	7057-0005
	Hard copy inside folder	–	7007-0005
Rack	stainless steel	–	8012-2048
Rack accessories	fasteners (1 set of 4) for additional security of racks	–	8012-0531
Rack, reinforced	stainless steel, with fasteners (1 set of 4)	–	8012-0700
Rubber pads	set anti-slip feet	–	8012-2030
Shelf, perforated	Stainless steel	–	6004-0030
Table on castors	stable cart, casters with locking brakes, dimensions: W 1,000 x D 800 x H 780 mm	–	9051-0018
WLAN kit	The kit contains a client bridge that establishes a wireless connection between BINDER units and APT-COM4, LIMS, or customer-specific software via an Ethernet interface. It provides an alternative solution in situations where units need to be positioned in locations without an on-site Ethernet connection. In secured networks, installation and configuration must be performed by the customer's IT service.	–	8500-0164

* Notes › See last page

SERVICES

Designation	Description	*	Art.-No.
Installation services			
Unit commissioning	Connect the unit to the customer-side connections (electricity, water, wastewater, gas), basic functions check, brief operating instructions. (excl.: unpacking, setup, controller instructions, programming, installation work)	05	DL10-0100
Unit instructions	Instruction regarding operating principle and basic functions of the unit, operation of the control electronics including programming	05	DL10-0500
Maintenance contracts			
Maintenance services			
BRONZE 3-year maintenance contract	Maintenance service as contractually agreed, visual inspection of mechanical and electrical components, check of control response, 20% discount on spare parts	05	DL20-0710
GOLD 3-year maintenance contract	Maintenance service as contractually agreed, visual inspection of mechanical and electrical components, check of control response, 20% discount on spare parts, testing of all key functions, replacement of wear parts, calibration of one test temperature specified by the user in the center of the usable space, including certificate	05	DL20-0910
Maintenance	One-off maintenance service in accordance with maintenance schedule. Visual inspection of mechanical and electrical components, testing of all key functions. Calibration of a test temperature specified by the user in center of usable space without certificate	05	DL20-0200
SILVER 3-year maintenance contract	Maintenance service as contractually agreed, visual inspection of mechanical and electrical components, check of control response, 20% discount on spare parts, testing of all key functions, calibration of one test temperature specified by the user in the center of the usable space, without certificate	05	DL20-0810
Calibration services			
Calibration certificate, temperature	Calibration of one (1) test temperature specified by the user in center of chamber, including certificate	03, 04, 05	DL30-0101
	Extension of calibration of one (1) additional test temperature specified by the user in the center of the usable space, including certificate	03, 04, 05	DL30-0102
Temperature measurement, 18 measuring points	Temperature measurement with 18 measuring points with a set value specified by the user, including certificate	03, 04, 05	DL30-0118
Temperature measurement, 27 measuring points	Temperature measurement with 27 measuring points with a set value specified by the user, including certificate	03, 04, 05	DL30-0127
Temperature measurement, 9 measuring points	Temperature measurement with 9 measuring points with a set value specified by the user, including certificate	03, 04, 05	DL30-0109

* Notes › See last page

Designation	Description	*	Art.-No.
Validation services			
Execution of IQ/OQ	Execution of IQ/OQ in accordance with qualification folder	05	DL41-0200
Execution of IQ/OQ/PQ	Execution of IQ/OQ/PQ in accordance with qualification folder	05	DL44-0500
Warranty service			
1-year warranty extension	The warranty is extended by 1 year from the delivery date, wear parts are excluded	-	DL50-0010

* Notes › See last page

NOTES

- 01 Condensation may occur in the area around the access port. Access ports may be placed in custom locations for an additional charge.
- 02 UL mark is not granted when this option is used.
- 03 Sensor calibration is performed in an accredited calibration laboratory.
- 04 Calibration is performed according to the BINDER factory standard.
- 05 Quoted prices do not include travel costs. Please refer to the chapter on BINDER Service for travel costs for your region. Quoted prices for services performed in Switzerland do not include a country-specific added fee (available on request).

BINDER GmbH

Tuttlingen, Germany
TEL +49 7462 2005 0
FAX +49 7462 2005 100
info@binder-world.com
www.binder-world.com

BINDER Asia Pacific (Hong Kong) Ltd.

Kowloon, Hong Kong, P.R. China
TEL +852 39070500
FAX +852 39070507
asia@binder-world.com
www.binder-world.com

Representative Office for CIS

Moscow, Russia
TEL +7 495 988 15 16
FAX +7 495 988 15 17
russia@binder-world.com
www.binder-world.com

**BINDER Environmental Testing
Equipment (Shanghai) Co., Ltd.**

Shanghai, P.R. China
TEL +86 21 685 808 25
FAX +86 21 685 808 29
china@binder-world.com
www.binder-world.com

BINDER Inc.

Bohemia, NY, USA
TEL +1 631 224 4340
FAX +1 631 224 4354
usa@binder-world.com
www.binder-world.us