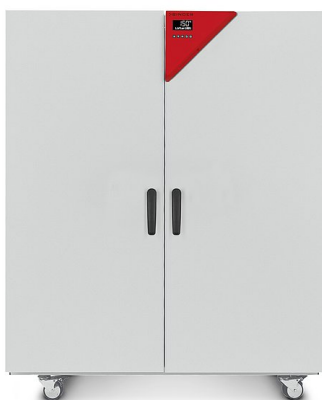


Model FD 720 | Drying and heating chambers with forced convection

A BINDER FD series Avantgarde.Line heating oven is always used when fast drying and sterilization is required. Thanks to its fully homogeneous temperature distribution, quick dynamics and powerful fan, this heating oven saves valuable time.

BENEFITS

- Best energy efficiency on the market
- Excellent temporal and spatial temperature accuracy
- USB connection for recording data
- Temperature range up to 300 °C



Model 720

MAIN FEATURES

- Temperature range: ambient temperature plus 12 °C to 300 °C
- Up to 30% lower energy consumption compared to conventional units on the market
- High temperature accuracy thanks to APT.line™ technology
- Forced convection
- Controller with LCD display
- Electromechanical control of the exhaust air flap
- 2 chrome-plated racks
- Class 2 integrated independent adjustable temperature safety device (DIN 12880) with visual alarm
- Ergonomic handle design
- USB port for recording data

ORDERING INFORMATION

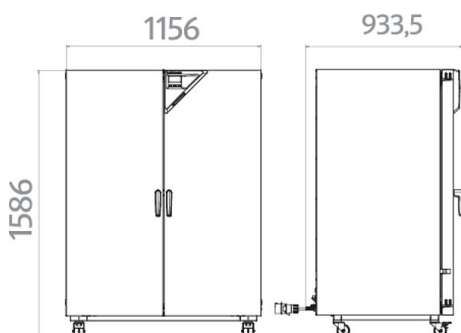
Interior volume [L]	Voltage	Option model	Version	Art.-No.
Model FD 720				
741	400 V 3~ ph 50/60 Hz	Standard	FD720-400V	9010-0311

TECHNICAL DATA

Description	FD720-400V ¹
Article Number	9010-0311
Performance Data Temperature	
Temperature range 12 °C above ambient temperature to [°C]	300
Temperature variation at 150 °C [± K]	2.5
Temperature fluctuation at 150 °C [± K]	0.6
Heating-up time to 150 °C [min]	25
Recovery time after 30 seconds door open at 150 °C [min]	6
Electrical data	
Rated Voltage [V]	400
Power frequency [Hz]	50/60
Nominal power [kW]	4.5
Unit fuse [A]	3 x 16
Phase (Nominal voltage)	3~
Outer dimensions	
Width net [mm]	1165
Height net [mm]	1590
Depth net [mm]	870
Wall clearance back [mm]	160
Wall clearance sidewise [mm]	100
Doors	
Unit doors	2
Internal Dimensions	
Width [mm]	1000
Height [mm]	1300
Depth [mm]	570
Measures	
Interior volume [L]	741
Net weight of the unit (empty) [kg]	166
permitted load [kg]	315
Load per rack [kg]	45
Environment-specific data	
Energy consumption at 150 °C [Wh/h]	800
Sound-pressure level [dB(A)]	43
Fixtures	
Number of shelves (std./max.)	2/16

1 All technical data is specified for unloaded units with standard equipment at an ambient temperature of +22 °C ±3 °C and a power supply voltage fluctuation of ±10 %. The temperature data is determined to BINDER factory standard following DIN 12880, observing the recommended wall clearances of 10 % of the height, width, and depth of the inner chamber. Technical data refers to 100 % fan speed. All indications are average values, typical for units produced in series. We reserve the right to change technical specifications at any time.

DIMENSIONS incl. fittings and connections [mm]



OPTIONS AND ACCESSORIES

Designation	Description	*	Art.-No.
Access port with silicone plug	left		
	10 mm	01	8012-1276
	30 mm	01	8012-1016
	50 mm	01	8012-1020
	100 mm	01	8012-1027
	right		
	10 mm	01	8012-1269
	30 mm	01	8012-1015
	50 mm	01	8012-1019
	100 mm	01	8012-1028
	top		
	10 mm	01	8012-1263
	30 mm	01	8012-1364
	50 mm	01	8012-1380
	100 mm	01, 10	8012-1671
	Analog output 4-20 mA	for temperature values (output not adjustable)	02
Calibration certificate, expanded	for temperature; for extending the measurement in center of chamber to include another test temperature	-	8012-1116
Calibration certificate, temperature	for temperature, measurement in center of chamber at specified temperature	-	8012-1135
	temperature measurement incl. certificate and 27 measuring points at specified temperature	-	8012-1594
	temperature measurement incl. certificate, 15- 18 measuring points at specified temperature	-	8012-1573
	temperature measurement incl. certificate, 9 measuring points at specified temperature	-	8012-1552
Class 3.1 independent temperature safety device	with visual alarm (DIN 12880)	04, 12	8012-1643
Clock	battery-backed	-	8012-1641
Data Logger Kit	T 350: For continuous temperature logging from 0 °C to 350 °C; kit includes 1 data logger, Pt 100 sensor with 2 m extension cable and 1 magnetic fixture for mounting to the BINDER unit	19	8012-0714
Data Logger Software	LOG ANALYZE software kit, configuration and evaluation software for all BINDER Data Logger Kits (incl. USB data cable)	19	8012-0821
Door gasket	made of FKM, silicone-free	03	8012-1833
Door lock	lockable door handle	-	8012-1818
Ethernet interface	for Multi Management Software APT-COM™	-	8012-0989
Fan, reinforced	for increased air change rates, incl. uprated heat output for faster heating up time and improved recovery time; max. 300 °C; not in conjunction with load management option 400 V option model	-	8012-1062
Heating output, reinforced	For faster heating up time and improved recovery time; max. 300 °C; not in conjunction with load management option 400 V option model	-	8012-1061
HEPA air filter	On fresh air supply for unit; filter classification H14 (acc. to. EN 1822-1:2009, > 99.995% at 0.3 µm)	-	8012-1099
Inner chamber, reinforced	max. total load 350 kg	-	8012-1821
Instrument tray	with lid made from 18/8 stainless steel, stackable, dimensions: 230 x 133 x 45 mm	-	4022-0123
	with lid made from 18/8 stainless steel, stackable, dimensions: 315 x 215 x 60 mm	-	4022-0124
Interior lighting	with two 15 W light bulbs		
	400 V option model	-	8012-1825
Measurement of air exchange rate	in accordance with ASTM D5374, definition and protocol according to ambient temperature	-	8012-1195
Overheating alarm	audible, can be switched off, adjustable limit on the independent temperature safety device	-	8012-1636
pH-neutral detergent	concentrated, for gentle remove of residual contaminants; 1 kg	-	1002-0016
Pt 100 temperature sensor	additional flexible Pt 100, interior, for displaying the temperature on the unit display	-	8012-1620

* Notes › See last page

Designation	Description	*	Art.-No.
Rack	chrome plated	-	6004-0171
	stainless steel	-	6004-0155
Rack, heavy load	Stainless steel, max. load per rack 70 kg	-	6004-0204
Shelf, perforated	Stainless steel	-	6004-0187
Viewing window and interior lighting	viewing window (triple insulating glass) in door, 300 x 480 mm, and 30 W interior 400 V option model	-	8012-1831

* Notes › See last page

SERVICES

Designation	Description	*	Art.-No.
Installation services			
Installation	and set up of unit at operating location, connect to existing connections	13, 18	DL10-0100
Instruction	unit function instructions for operation and programming of the controller	18	DL10-0500
Preventive maintenance			
Preventive maintenance	Executive of equipment inspection according to maintenance plan	14, 18	DL20-0200
Calibration services			
Calibration temperature incl. certificate	including certificate, one measuring point in center of chamber at specified temperature	14, 16, 17, 18	DL30-0101
Measurement of air exchange rate	including certificate (in accordance with ASTM D5374)	14, 16, 17, 18	DL33-0000
Temperature measurement 18 measuring points	including certificate, 18 measuring points at specified temperature	14, 16, 17, 18	DL30-0118
Temperature measurement 27 measuring points	including certificate, 27 measuring points at specified temperature	14, 16, 17, 18	DL30-0127
Temperature measurement 9 measuring points	including certificate, 9 measuring points at specified temperature	14, 16, 17, 18	DL30-0109
Validation services			
Execution of IQ/OQ	in accordance with qualification folder	15, 18, 20	DL40-0100
Execution of IQ/OQ/PQ	in accordance with customer's requirement, price: on request	15, 18	DL44-0500
Qualification folder IQ/OQ	supporting documents for validation performed by customer, consisting of: IQ/OQ checklists, unit schematics, QM certificate in accordance with ISO 9001	15, 18, 20	8012-0792
Qualification folder IQ/OQ/PQ	supporting documents for validation performed by customer, in accordance with customer's requirement, extension of Qualification folder IQ/OQ by chapter PQ	15, 18	8012-0943
Warranty service			
Extension of the warranty from 2 to 3 years	beginning with the date of delivery, wearing parts are not included	-	DL00-3041
Extension of the warranty from 2 to 5 years	beginning with the date of delivery, wearing parts are not included	-	DL00-3042

* Notes › See last page

NOTES

- 01 Condensation may occur in the area around the access port. Access ports may be placed in custom locations for an additional charge.
- 02 UL mark is not granted when this option is used.
- 03 Heat resistant only to max. 200 °C.
- 04 Only available on units rated for 230 V.
- 06 Heating-up time may increase as a result of the lower heat conductivity.
- 07 The additional heat input may affect the temperature behavior.
- 09 Not in conjunction with the optional access port, door with window and interior lighting.
- 10 Not available on 23-liter units.
- 11 Not available on 23- or 53-liter units.
- 12 Only available on units rated for 230 V or 400 V.
- 13 Installation and connections take place at unit location; transport within the company only upon consultation.
- 14 We recommend a BINDER service contract to cover unit inspections, calibrations and validations.
- 15 OQ according to Yellow Paper = completed factory validation documentation of all OQ checklists.
- 16 Sensor calibration is performed in an accredited calibration laboratory.
- 17 Calibration is performed according to the BINDER factory standard.
- 18 Quoted prices do not include travel costs. Please refer to the chapter on BINDER Service for travel costs for your region. Quoted prices for services performed in Switzerland do not include a country-specific added fee (available on request).
- 19 For additional accessories, refer to the Process documentation chapter.
- 20 When ordering IQ/OQ qualification folders and associated IQ/OQ execution on one order, we offer a 15 % discount for the item of the IQ/OQ folder.
When ordering IQ/OQ/PQ qualification folders and associated IQ/OQ/PQ execution on one order, we offer a 15 % discount for the item of the IQ/OQ/PQ folder.