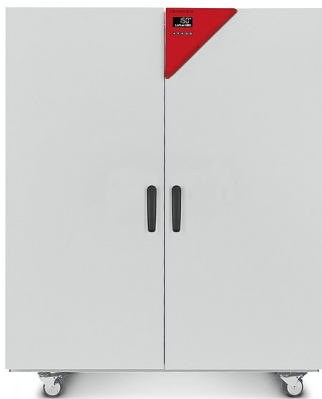


Model BF 720 | Standard-Incubators with forced convection

The BINDER incubator of the BF Avantgarde.Line series with forced convection is suitable for all gentle incubation applications, particularly under a full load and large batch throughputs. This incubator is extremely homogeneous and has quick recovery times.

BENEFITS

- Excellent temporal and spatial temperature accuracy
- High process reliability
- 100 °C disinfection routine



Model 720

MAIN FEATURES

- Temperature range: ambient temperature plus 10 °C to 100 °C
- High temperature accuracy thanks to APT.line™ technology
- Forced convection
- Controller with LCD display
- Electromechanical control of the exhaust air flap
- Inner door made of tempered safety glass
- 2 chrome-plated racks
- 4 stable castors, two with brakes, from 720 liters
- Class 3.1 integrated independent temperature safety device (DIN 12880) with visual alarm
- Ergonomic handle design
- USB port for recording data

ORDERING INFORMATION

| Interior volume [L] | Voltage | Option model | Version | Art.-No. |
|---------------------|----------------------|--------------|--------------|-----------|
| Model BF 720 | | | | |
| 734 | 230 V 1~ ph 50/60 Hz | Standard | BF720-230V | 9010-0321 |
| | 240 V 1~ ph 60 Hz | Standard | BF720UL-240V | 9010-0322 |

TECHNICAL DATA

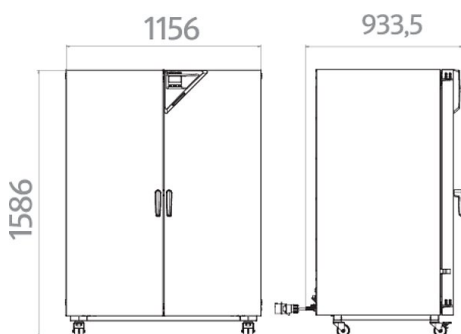
| Description | BF720-230V ¹ | BF720UL-240V ¹ |
|-----------------------------------------------------------|-------------------------|---------------------------|
| Article Number | 9010-0321 | 9010-0322 |
| Performance Data Temperature | | |
| Temperature range 10 °C above ambient temperature to [°C] | 100 | 100 |
| Temperature variation at 37 °C [± K] | 0.3 | 0.3 |
| Temperature fluctuation at 37 °C [± K] | 0.1 | 0.1 |
| Heating-up time to 37 °C [min] | 15 | 15 |
| Recovery time after 30 seconds door open at 37 °C [min] | 4 | 4 |

¹ All technical data is specified for unloaded units with standard equipment at an ambient temperature of +22 °C ±3 °C and a power supply voltage fluctuation of ±10%. The temperature data is determined in accordance to BINDER factory standard following DIN 12880, observing the recommended wall clearances of 10 % of the height, width, and depth of the inner chamber. All indications are average values, typical for units produced in series. We reserve the right to change technical specifications at any time.

| Description | BF720-230V ¹ | BF720UL-240V ¹ |
|-------------------------------------|-------------------------|---------------------------|
| Article Number | 9010-0321 | 9010-0322 |
| Electrical data | | |
| Rated Voltage [V] | 230 | 240 |
| Power frequency [Hz] | 50/60 | 60 |
| Nominal power [kW] | 1.75 | 1.85 |
| Phase (Nominal voltage) | 1~ | 1~ |
| Outer dimensions | | |
| Width net [mm] | 1165 | 1165 |
| Height net [mm] | 1590 | 1590 |
| Depth net [mm] | 870 | 870 |
| Wall clearance back [mm] | 160 | 160 |
| Wall clearance sidewise [mm] | 100 | 100 |
| Doors | | |
| Inner doors | 2 | 2 |
| Unit doors | 2 | 2 |
| Internal Dimensions | | |
| Width [mm] | 1000 | 1000 |
| Height [mm] | 1300 | 1300 |
| Depth [mm] | 565 | 565 |
| Measures | | |
| Interior volume [L] | 734 | 734 |
| Net weight of the unit (empty) [kg] | 166 | 166 |
| permitted load [kg] | 315 | 315 |
| Load per rack [kg] | 45 | 45 |
| Environment-specific data | | |
| Energy consumption at 37 °C [Wh/h] | 130 | 130 |
| Sound-pressure level [dB(A)] | 43 | 43 |
| Fixtures | | |
| Number of shelves (std./max.) | 2/16 | 2/16 |

¹ All technical data is specified for unloaded units with standard equipment at an ambient temperature of +22 °C ±3 °C and a power supply voltage fluctuation of ±10%. The temperature data is determined in accordance to BINDER factory standard following DIN 12880, observing the recommended wall clearances of 10 % of the height, width, and depth of the inner chamber. All indications are average values, typical for units produced in series. We reserve the right to change technical specifications at any time.

DIMENSIONS incl. fittings and connections [mm]



OPTIONS AND ACCESSORIES

| Designation | Description | * | Art.-No. |
|--------------------------------------|------------------------------------------------------------------------------------------------------------------------------------------------------------------------------------------------|--------|-----------|
| Access port with silicone plug | left | | |
| | 10 mm | 01 | 8012-1274 |
| | 30 mm | 01 | 8012-1156 |
| | 50 mm | 01 | 8012-1164 |
| | right | | |
| | 10 mm | 01 | 8012-1267 |
| | 30 mm | 01 | 8012-1153 |
| | 50 mm | 01 | 8012-1162 |
| | top | | |
| | 10 mm | 01 | 8012-1261 |
| | 30 mm | 01 | 8012-1150 |
| | 50 mm | 01 | 8012-1159 |
| | 100 mm | 01, 10 | 8012-1166 |
| Analog output 4-20 mA | for temperature values (output not adjustable) | 02 | 8012-1622 |
| Calibration certificate, expanded | for temperature; for extending the measurement in center of chamber to include another test temperature | - | 8012-1111 |
| Calibration certificate, temperature | for temperature, measurement in center of chamber at specified temperature | - | 8012-1130 |
| | temperature measurement incl. certificate and 27 measuring points at specified temperature | - | 8012-1590 |
| | temperature measurement incl. certificate, 15- 18 measuring points at specified temperature | - | 8012-1569 |
| | temperature measurement incl. certificate, 9 measuring points at specified temperature | - | 8012-1548 |
| Clock | battery-backed | - | 8012-1639 |
| Data Logger Kit | T 220: For continuous temperature logging from -90 °C to 220 °C. The kit includes 1 data logger, Pt 100 sensor with 2 m extension cable and 1 magnetic fixture for mounting to the BINDER unit | 19 | 8012-0715 |
| Data Logger Software | LOG ANALYZE software kit, configuration and evaluation software for all BINDER Data Logger Kits (incl. USB data cable) | 19 | 8012-0821 |
| Door lock | lockable door handle | - | 8012-1816 |
| Ethernet interface | for Multi Management Software APT-COM™ | - | 8012-0991 |
| Inner chamber, reinforced | max. total load 350 kg | - | 8012-1829 |
| Interior lighting | with two 15 W light bulbs | | |
| | 230/240 V option model | - | 8012-1823 |
| Interior socket | Waterproof, switched flush-mounting box (CA3GD) for nominal voltage in unit interior, with cover and corresponding plug (nominal voltage; max. 500 W; max. 90 °C; protection class IP67) | 07 | 8012-1638 |
| Load management | to comply with EMC requirements in accordance with EN 61326-1:2013-07 (IEC 61326-1:2012) | - | 8012-1820 |
| Overheating alarm | audible, can be switched off, adjustable limit on the independent temperature safety device | - | 8012-1634 |
| pH-neutral detergent | concentrated, for gentle remove of residual contaminants; 1 kg | - | 1002-0016 |
| Pt 100 temperature sensor | additional flexible Pt 100, interior, for displaying the temperature on the unit display | - | 8012-1618 |
| Rack | chrome plated | - | 6004-0171 |
| | stainless steel | - | 6004-0155 |
| Rack, heavy load | Stainless steel, max. load per rack 70 kg | - | 6004-0204 |
| Shelf, perforated | Stainless steel | - | 6004-0187 |

* Notes › See last page

SERVICES

| Designation | Description | * | Art.-No. |
|---------------------------------------------|-------------------------------------------------------------------------------------------------------------------------------------------------------------|----------------|-----------|
| Installation services | | | |
| Installation | and set up of unit at operating location, connect to existing connections | 13, 18 | DL10-0100 |
| Instruction | unit function instructions for operation and programming of the controller | 18 | DL10-0500 |
| Preventive maintenance | | | |
| Preventive maintenance | Executive of equipment inspection according to maintenance plan | 14, 18 | DL20-0200 |
| Calibration services | | | |
| Calibration temperature incl. certificate | including certificate, one measuring point in center of chamber at specified temperature | 14, 16, 17, 18 | DL30-0101 |
| Temperature measurement 18 measuring points | including certificate, 18 measuring points at specified temperature | 14, 16, 17, 18 | DL30-0118 |
| Temperature measurement 27 measuring points | including certificate, 27 measuring points at specified temperature | 14, 16, 17, 18 | DL30-0127 |
| Temperature measurement 9 measuring points | including certificate, 9 measuring points at specified temperature | 14, 16, 17, 18 | DL30-0109 |
| Validation services | | | |
| Execution of IQ/OQ | in accordance with qualification folder | 15, 18, 20 | DL40-0100 |
| Execution of IQ/OQ/PQ | in accordance with customer's requirement, price: on request | 15, 18 | DL44-0500 |
| Qualification folder IQ/OQ | supporting documents for validation performed by customer, consisting of: IQ/OQ checklists, unit schematics, QM certificate in accordance with ISO 9001 | 15, 18, 20 | 8012-0871 |
| Qualification folder IQ/OQ/PQ | supporting documents for validation performed by customer, in accordance with customer's requirement, extension of Qualification folder IQ/OQ by chapter PQ | 15, 18 | 8012-0959 |
| Warranty service | | | |
| Extension of the warranty from 2 to 3 years | beginning with the date of delivery, wearing parts are not included | - | DL01-7041 |
| Extension of the warranty from 2 to 5 years | beginning with the date of delivery, wearing parts are not included | - | DL01-7042 |

* Notes › See last page

NOTES

- 01 Condensation may occur in the area around the access port. Access ports may be placed in custom locations for an additional charge.
- 02 UL mark is not granted when this option is used.
- 03 Heat resistant only to max. 200 °C.
- 04 Only available on units rated for 230 V.
- 06 Heating-up time may increase as a result of the lower heat conductivity.
- 07 The additional heat input may affect the temperature behavior.
- 09 Not in conjunction with the optional access port, door with window and interior lighting.
- 10 Not available on 23-liter units.
- 11 Not available on 23- or 53-liter units.
- 12 Only available on units rated for 230 V or 400 V.
- 13 Installation and connections take place at unit location; transport within the company only upon consultation.
- 14 We recommend a BINDER service contract to cover unit inspections, calibrations and validations.
- 15 OQ according to Yellow Paper = completed factory validation documentation of all OQ checklists.
- 16 Sensor calibration is performed in an accredited calibration laboratory.
- 17 Calibration is performed according to the BINDER factory standard.
- 18 Quoted prices do not include travel costs. Please refer to the chapter on BINDER Service for travel costs for your region. Quoted prices for services performed in Switzerland do not include a country-specific added fee (available on request).
- 19 For additional accessories, refer to the Process documentation chapter.
- 20 When ordering IQ/OQ qualification folders and associated IQ/OQ execution on one order, we offer a 15 % discount for the item of the IQ/OQ folder.
When ordering IQ/OQ/PQ qualification folders and associated IQ/OQ/PQ execution on one order, we offer a 15 % discount for the item of the IQ/OQ/PQ folder.